

# Tomato Cages, Plant Supports & Much More



**MidWest  
Wire Works**





# CAGES



## Galvanized-Color-Gauge-Style

### Colors:

When ordering use the color code at the end of the part number.

### How to Determine What Cage is Best for You:

- Determine how tall (it's the middle number in our part #)
- Determine the Legs (first number)
- Determine the rings (last number)
- Determine the wire thickness (X is thicker XX is extra thick)
- Codes and definitions

COLOR	CODE
Red	R
Yellow	Y
Green	G
Purple Wave	PW
Lime Green	LG

### Other Codes:

- I** – Inverted (cage is upside down)
- M** – Monster (brand name of Extra HD cages)
- E** – Economy
- S** – Step

Any of these cages available inverted (I).

## 33" / 48" CAGES

ITEM#	HEIGHT	LEGS/RINGS	WIRE GAUGE	DIAMETER
3333	33"	3L, 3R	11.5g	.113"
4484BM	48"	4L, 4R	9.5g	.143"

## 42" CAGES

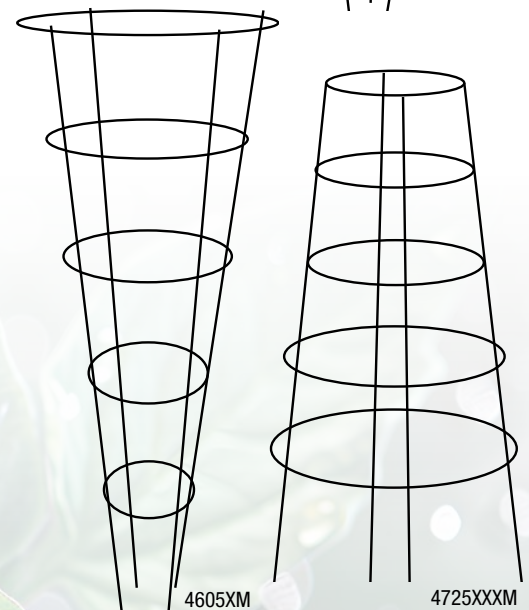
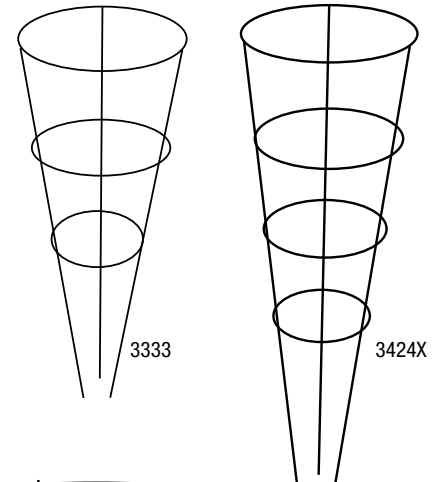
ITEM#	HEIGHT	LEGS/RINGS	WIRE GAUGE	DIAMETER
3423EX	42"	3L, 4R	12g	.105"
3424	42"	3L, 4R	11.5g	.113"
3424X	42"	3L, 4R	9.5g	.143"
3424XX	42"	3L, 4R	6.5g L / 7g R	.1875"/.177"
4424XX	42"	4L, 4R	6.5g L / 7g R	.1875"/.177"

## 54" CAGES

ITEM#	HEIGHT	LEGS/RINGS	WIRE GAUGE	DIAMETER
3544E	54"	3L, 4R	10g-11.5g R	.135"
3544	54"	3L, 4R	9.5g	.143"
4544	54"	4L, 4R	9.5g	.143"
4544X	54"	4L, 4R	8.5g	.155"
4544XX	54"	4L, 4R	6.5g-7g R	.1875" / .177"

## 60" / 72" CAGES

ITEM#	HEIGHT	LEGS/RINGS	WIRE GAUGE	DIAMETER
4605XM	60"	4L, 5R	3g	.243"
4725XXXM	72"	4L, 5R	1/2 awg	.297"



# CAGES

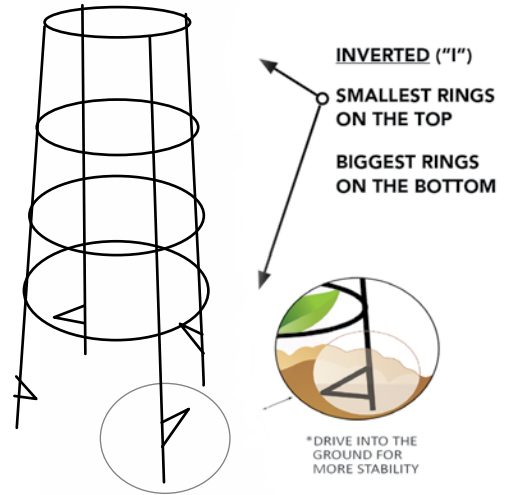


## STEP CAGES

### Step up to a Better Cage

Drive the "Step" to the ground to give your garden more stability.

ITEM #	HEIGHT	WIRE GAUGE	DIAMETER
4362IXS	36"	3	0.243
4444IS	44"	6	0.1875
4444IXS	44"	3	0.243
4524IS	52"	6	0.1875
4524IXS	52"	3	0.243
45241XS	52"	3g	3g
45241XXS	52"	1/2 awg L-3g R	1/2 awg L-3g R

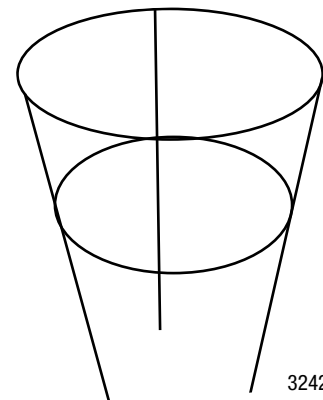


## PEONY CAGES

### 30" Tall / 3 legs / 2 Rings

ITEM #	TOP RING	WIRE GAUGE	DIAMETER
3162	16	9.5	0.143
3182	18	9.5	0.143
3242	24	9.5	0.143
3182X	18	8.5	0.155
3182XX	18	6	0.1875

Available in Galvanized or Green (G).



## COLLAPSIBLE SQUARES

### Why our squares?

- **Better Hinge:**  
We wrap it twice on the post to make it stronger
- **Better Design:**  
Offset legs brings the distance between welds closer
- **More cross bars and thicker wire to make it stronger**

ITEM #	HEIGHT	GAUGE	CROSSBARS
8400X	40	9.5	5
8480X	48	9.5	6
8580X	58	7 Legs / 9.5 Cross	7





# COLLAPSIBLES-CRADLES-STABILIZERS



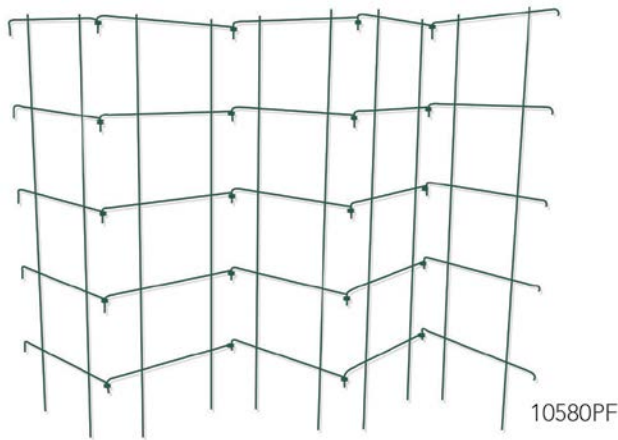
## COLLAPSIBLE BEAN, PEA & CUCUMBER

Ask about our boxed product ready for your e-commerce.

ITEM#	HEIGHT	DESCRIPTION
BT27Z	60"	Pole Bean Tower & Pea Tower
10400PF	40"	5-Panel Pea Fence (72" long)
10580PF	58"	5-Panel Pea Fence (90" long)
12480CS	48"	Folding cucumber support (42" long)



12480CSG



10580PF



BT27Z

## MELON CRADLES

Keep your melons and squash off the ground with our melon cradles.

ITEM#	DESCRIPTION
MC363	Melon Cradle
MC363G	Melon Cradle, Green



MC363G

## POT STABILIZER

Keep your trees and bushes upright. Designed to fit most pots.

ITEM#	POT SIZE
PS243	3 GAL
PS245	5 GAL
PS247	7 GAL
PS2410	10 GAL
PS2415	15 GAL



Heavy Duty wire keeps your trees upright.

# CORRALS-STAPLES-POTS



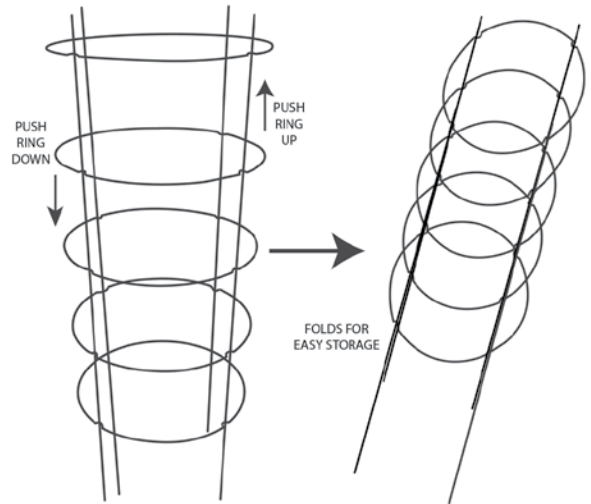
## TOMATO CORRALS

- Made from heavy duty galvanized steel wire
- Supports all tomatoes and vining plants
- Comes 18" Round in 3 sizes: 24", 48" & 60"
- 24" Stacks on others to extend height with no tools
- Folds flat in seconds

ITEM#	DIAMETER
CC030424TCE	24"
CC040548TC	48"
CC040660TC	60"

Available in Galvanized & Green (G).

Product not made in USA



## SOD STAPLES

Ask about our new retail sod staples 50-pack!

ITEM#	LENGTH	QTY PER BOX
SS414	4"	1000
SS616	6"	1000
SS818	8"	500

Product not made in USA



.113" wire

## GROWER CAGES

Ask us about custom fitting your grow pots!

### Custom Cage or Shape

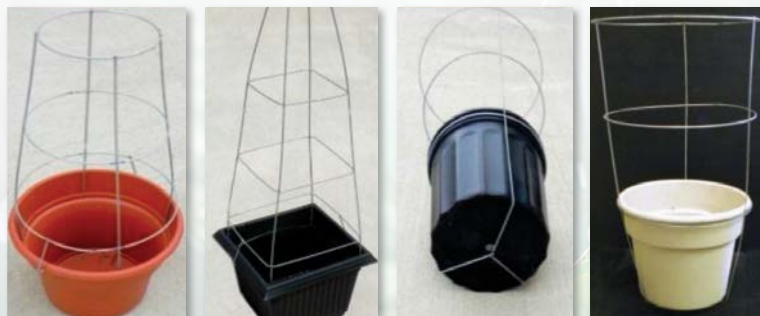
Let our design team make the perfect cage or shape for your every application. Just call!

### Clip-On Cages

Clip-on cages clip on the rim of the cage. Works on round or square pots.

### Cross Bottom Cages

Cross Bottom cages allow pots to be dropped into the cage and allow you to pick the plant up by the cage.





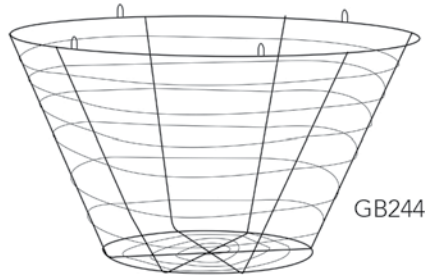
# BASKETS-HANGERS-SUPPLIES



## HANGING GROW BASKETS AND HANGERS

Line our grow baskets with burlap or moss.

ITEM#	DIAMETER
GB10	10"
GB12	12"
GB14	14"
GB16	16"
GB18	18"
GB204	20"
GB244	24"

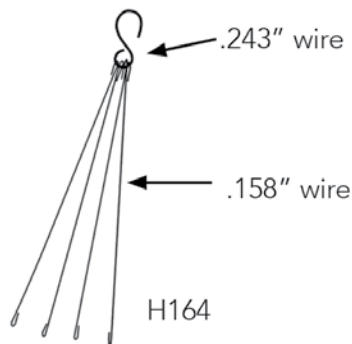


Available in Galvanized and Green (G).



## PLANT HANGERS

ITEM#	LENGTH	HOOKS
H123	12"	3
H143	14"	3
H163	16"	3
H164	16"	4



Also available in Green (G).

## TREE BASKET & NURSERY SUPPLIES

### Tree Basket Choices

STRENGTHS	STYLES	SIZES	BOTTOMS
Styles are available in choice of Standard (S) or Heavy Duty	Vermeer (VE)	Styles are available in choice of sizes 12"-90"	Open (OB or XX)
	Truncated (CT)		Closed (CB)
	Optimal (OPT)		Short Closed Bottom (SCB)
	Star Style (SS)		
	Clegg (CL)		
Cone (CN)			

### Burlap Choices

STYLES	STRENGTHS	TYPES
Liners (L)	Styles are available in choice of Standard or Heavy Duty (1)	Available in your choice of Treated (T) or Plain (P)
Square (S)		
Rolls (R)		

### Other Supplies

- Twine
- Pinning Nails
- Hog Ring
- Pliers
- Crimping Tools
- ...and More!





# PALLETS



Save money with our pre-built pallets of our best selling items. Custom Pallets Available!

## 3424XCP – 42" Heavy Duty Color Combo Pallet

ITEM#	DESCRIPTION	QTY
3424XG	42" 3 Leg 4 Ring HD Green	50
3424XR	42" 3 Leg 4 Ring HD Red	50
3424XPW	42" 3 Leg 4 Ring HD Purple	50
3424XY	42" 3 Leg 4 Ring HD Yellow	50



## 4860CP – Tomato Corral Pallet (Galvanized)

ITEM#	DESCRIPTION	QTY
CC040548TC	48" Corral	60
CC040660TC	60" Corral	60

## 4860GCP – Tomato Corral Pallet (Green)

ITEM#	DESCRIPTION	QTY
CC040548TCG	48" Corral Green	60
CC040660TCG	60" Corral Green	60



## 58408LCP – Square Combo Pallet (Galvanized)

ITEM#	DESCRIPTION	QTY
8400X	40" 8 Leg Square HD	60
8580XX	58" 8 Leg Square HD	50

## 58408LCPG – Square Combo Pallet (Green)

ITEM#	DESCRIPTION	QTY
8400XG	40" 8 Leg Square HD Green	60
8580XXG	58" 8 Leg Square HD Green	50



## 544233E – Galvanized Combo Pallet (Economy)

ITEM#	DESCRIPTION	QTY
3333	33" 3 Leg 3 Ring	300
3424	42" 3 Leg 4 Ring	125
3544E	54" 3 Leg 4 Ring Economy	75



# PALLETS



## 4544XXCP – Extra HD 54" Color Combo Pallet

ITEM#	DESCRIPTION	QTY
4544XXG	54" 4 Leg 4 Ring Extra HD Green	72
4544XXR	54" 4 Leg 4 Ring Extra HD Red	72

## 3423EXP – Economy 42" Color Combo Pallet

ITEM#	DESCRIPTION	QTY
3423XEG	42" 3 Leg 3 Ring Economy Green	100
3423EXR	42" 3 Leg 3 Ring Economy Red	50

## 3424CC – Color Combo Pallet

ITEM#	DESCRIPTION	QTY
3424PW	42" 3 Leg 4 Ring Purple Wave	75
3424G	42" 3 Leg 4 Ring Green	250
3424Y	42" 3 Leg 4 Ring Yellow	75
3424R	42" 3 Leg 4 Ring Red	100

## 334254 – Galvanized Combo Pallet (Heavy Duty)

ITEM#	DESCRIPTION	QTY
3333	33" 3 Leg 3 Ring	150
3424X	42" 3 Leg 4 Ring HD	100
4544X	54" 4 Leg 4 Ring HD	75

## 4254SCP – Heavy Duty 54" & 42" Color Combo Pallet

ITEM#	DESCRIPTION	QTY
3424XR	42" 3 Leg 4 Ring HD Red	150
4544XG	42" 3 Leg 4 Ring HD Green	100

## SQCC42X – HD Square, Corral & 42" Cage Combo Pallet

ITEM#	DESCRIPTION	QTY
8400X	40" 8 Leg Square HD	20
CC0405048TC	48" Corral	20
3424X	42" HD 3 Leg 4 Ring Cage	50

*You can always buy full pallets of one product as well for discounts... just ask!*

## E-COMMERCE

Boxed product ready for your e-commerce site.

Customize your product with:

- Private Labeling
- Unique Packaging
- Custom Color, Size, or Qty per box

**These products can be bought in bulk, or ask about us fulfilling your orders for you!**

PRODUCT#	BASE PRODUCT	DESCRIPTION
8400X3P	8400X	40" 8 Leg HD Folding Square 3 Pack
8480X3P	8480X	48" 8 Leg HD Folding Square 3 Pack
8580XX3P	8580XX	58" 8 Leg HD Folding Square 3 Pack
12480OCS1P	12480CS	Folding cucumber (v-shaped) support
10400PF2P	10400PF	40" 5 Panel Pea Fence (72" long) 2 Pack
MC3636P	MC363	Melon Cradle 6 Pack
BT27	BT27	Pole and Bean Tower 60"

