



ValleyView[®] Industries

Setting the Landscape Industry Standard

- ❖ Landscape Supply
- ❖ PRO Contractors
- ❖ Irrigation Supply
- ❖ Architects



WE HAVE THE EDGE WHEN IT COMES TO YOUR LANDSCAPE

FOR OVER 50 YEARS,

Valley View has established itself as the “Brand Name” in the edging category for landscape.

From architects, professional landscapers and maintenance personnel around the world, they know the quality and peace of mind associated with installing Valley View products.

Our offerings include professional grade flat 20' poly edging, 20' poly (bender) board and the most diverse offering of paver restraints in the industry. The needs of the world are met from one quality supplier - **Valley View Industries**.

Our line of professional products are available around the world via:

- Irrigation supply
- Landscape/Hardscape supply wholesalers and retailers
- Lawn and garden distributors

Thanks to all around the world who have put faith in the Valley View brand for the past 50 years. We will continue to strive for excellence in what we manufacture to the world.

Sincerely,

THE GRATEFUL EMPLOYEES OF

ValleyView[®]
Industries



Paver Restraint



Poly Board (Bender Board)



Earth Edging Rubber Rolls

DELIGHTFUL DESIGNS. STUNNING SIGNAGE. VALLEY VIEW.

Complimentary Banners & Cut Samples Are Available Upon Request

Contact Us!

(800) 323-9369

INFO@VALLEYVIEWIND.COM

WWW.VALLEYVIEWIND.COM



Black Diamond 20'

TABLE OF CONTENTS

No Dig Edging	4-9
Flat Strip Edging	10
Poly Board Edging	11-14
Poly Board Stakes	13
Rubber Rolls	15-17
Paver Restraints	18-21
Bulk Components	22-23

More Information at
www.valleyviewind.com



The Next Generation

NO DIG EDGING

LESS LABOR, MORE PROFIT

Until Valley View's No Dig Edging came along, there was never an easier or quicker way to install landscape edgings. With no digging required, you can maximize your profit with less labor!

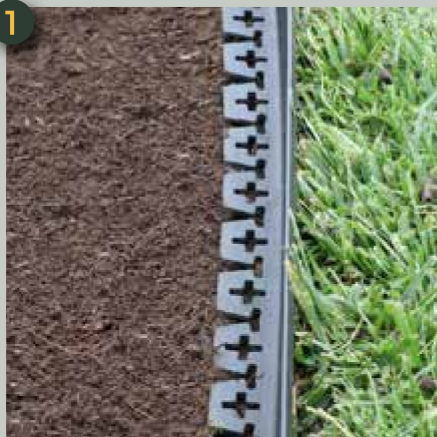
- No Digging Required
- Bends Around Tree Beds
- Looks Great On Straights
- Versatile and Fits Every Yard
- More Work Done in Less Time
- Work Smarter Not Harder



ZERO HASSLE

PRIOR TO INSTALLATION:

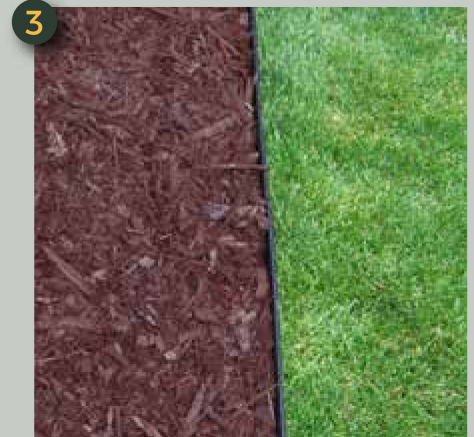
Unroll edging and let it warm up for a few hours. Clear the area of turf and debris.



1 Place edging on level soil, with the tabs facing towards the planting bed.



2 Hammer in stakes, every 4 feet, through provided holes at a 45° angle. Use extra stakes on curves.



3 Backfill with mulch or other ground cover as desired.

THE #1 PRODUCT FOR MULCH & PINESTRAW RETENTION

LESS LABOR!



TALL, 3" NO DIG EDGING

EXTRA TALL. EXTRA VERSATILE.

When it comes to landscape retention, there isn't a better product on the market than our Tall, 3" No Dig edging. The flexibility and height of this product give it the ability to be used against brick, sidewalk, and grass to separate things like mulch and pinestraw.



TALL 3" (7.62CM) EDGING

60' / 18.3 M LENGTH

20' / 6.1 M LENGTH

INNOVATIVE EDGE COILED 60'

SPECS & DETAILS



Height	3"
Packaged	1-60' Strip
Shipped	3 Coils per Carton
Order Quantity	3 Coils = 1 Carton
Product Code	NDETC-60LBMCL (Light Brown) NDETC-60MCL (Black)



EASY DIAMOND GROUND - 20' BLACK

SPECS & DETAILS



Height	1.25"
Length	8"
Packaged	1-20' Strip, 6-9" Poly Stakes and 1-8" "C" Connector
Shipped	5 Strips per Bundle
Order Quantity	50 Strips = 10 Bundles
Product Code	EDGF-20



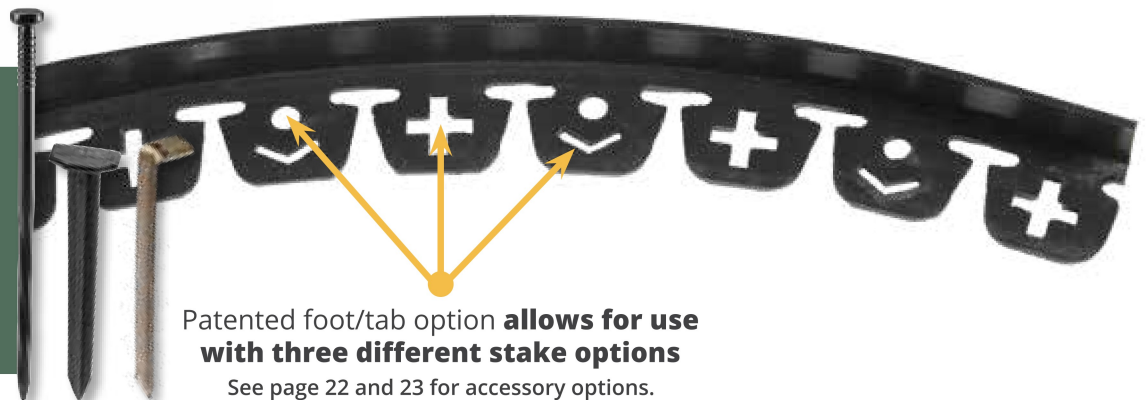
Each Strip includes: 6-9" Poly Stakes and 1-8" "C" Connector

Additional Poly Stakes and 8" "C" Connectors available on page 22 and 23

This Patent covers the **5 Innovative No Dig Edging** Products

Patent: US D850,661
Valley View Industries

Canadian patent numbers
178827, 179345, 183306



Patented foot/tab option **allows for use with three different stake options**

See page 22 and 23 for accessory options.



STONE

WOOD CHIPS



PINE STRAW

BLACK DIAMOND - 20'

SPECS & DETAILS



Height	5.5"
Packaged	1-20' Strip, 4-9" Metal Stakes and 1-8" "C" Connector
Shipped	5 Strips per Bundle
Order Quantity	50 Strips = 10 Bundles
Product Code	BD-20

- "Original" patented lawn edging from 1968
- Black Diamond remains superior to lower priced alternatives
- Think of the labor costs of replacing inferior edging after your bedding stone/mulch has been installed



Additional Metal Stakes and "C" Connectors available on page 22 and 23

ACE OF DIAMOND - 20'

SPECS & DETAILS



Height	5"
Packaged	1-20' Strip, 4-9" Metal Stakes and 1-8" "C" Connector
Shipped	5 Strips per Bundle
Order Quantity	50 Strips = 10 Bundles
Product Code	AD-20

- Right choice for any contractor who demands quality edging



Additional Metal Stakes and "C" Connectors available on page 22 and 23

MIGHTY DIAMOND CLASSIC - 20'

SPECS & DETAILS

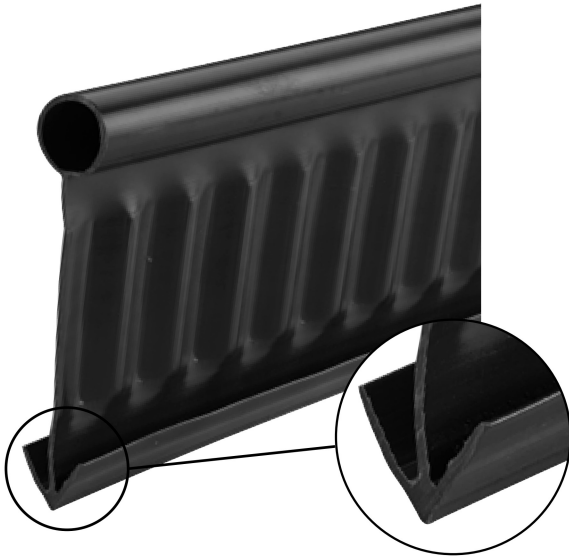


Height	5"
Packaged	1-20' Strip, 4-9" Metal Stakes and 1-8" "C" Connector
Shipped	5 Strips per Bundle
Order Quantity	50 Strips = 10 Bundles
Product Code	MDC-20

- Designed to offer a quality choice at an economical price



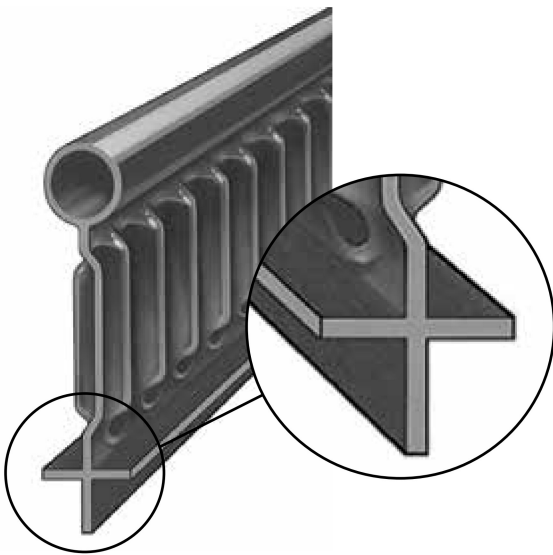
Additional Metal Stakes and "C" Connectors available on page 22 and 23

DIAMONDBACK - 20'**SPECS & DETAILS**

Height	5.25"
Packaged	1-20' Strip and 1-8" "C" Connector
Shipped	5 Strips per Bundle
Order Quantity	100 Strips = 20 Bundles
Product Code	DBE-20

- Features a perpendicular, corrugated side wall and "V" lip flange
- Less shifting horizontally and vertically

Metal Anchoring Stakes are recommended
This product is sold without Metal Anchoring Stakes

BLACK DIAMOND ROYAL - 20'**SPECS & DETAILS**

Height	5.5"
Packaged	1-20' Strip and 1-8" "C" Connector
Shipped	5 Strips per Bundle
Order Quantity	100 Strips = 20 Bundles
Product Code	DBR-20

- Features a perpendicular, corrugated side wall and "T" lip flange
- Less shifting horizontally and vertically

Metal Anchoring Stakes are recommended
This product is sold without Metal Anchoring Stakes

DANDY DIAMOND - 20'**SPECS & DETAILS**

Height	5"
Packaged	1-20' Strip, 4-9" Metal Stakes and 1-8" "C" Connector
Shipped	5 Strips per Bundle
Order Quantity	50 Strips = 10 Bundles
Product Code	DD-20



Additional Metal Stakes and "C" Connectors available on page 22 and 23

FLAT STRIP EDGING 20' / 6.1M LENGTH

Flat Strip Edging gives your lawn the defined border that it needs.

Today, many landscapers who are aware of lower priced alternatives remain loyal to the consistency of Black Diamond's performance. Think of the labor costs of replacing inferior edging after your bedding stone/mulch has been installed!



Clearly separates grass from bed



Retain grass from entering flower beds



Looks great on straights and bends

INSTALLATION TIPS FOR FLAT STRIP EDGING:



1 Always wear protective gloves before striking the anchor stake.



2 Cut about 5" off of one of the circular sections.



3 Using a connector, join the two sections together as shown.



4 Drive an anchor stake through both sections. Hammer in at a 45° angle.



POLY BOARD EDGING THE STEEL / GALVANIZED EDGE ALTERNATIVE

Exploding use with synthetic turf.

- Our contractor grade quality replacement for steel edging is ½" thick, 4X the thickness of regular coiled bender board
- Suitable for straight, curved and irregular edges
- UV protected & resistant to weather
- Made from recycled material
- 13" coated anchor stakes sold separately

**CONTRACTOR QUALITY • FLEXIBLE
DOES NOT RUST • SAFER THAN STEEL • EASY TO CUT**

POLY BOARD 1" X 4"

SPECS & DETAILS



* Shown in Light Brown, Dark Brown & Black

Height	3.5"		
Packaged	1-20' x .5" x 3.5" Strip, 9 lbs		
Shipped	5 Strips per Bundle		
Order Quantity	50 Strips = 10 Bundles 200 Strips = 1 Lift		
Product Code	Light Brown PB4-20LB	Dark Brown PB4-20B	Black PB4-20BL

POLY BOARD 1" X 6"

SPECS & DETAILS



* Shown in Light Brown, Dark Brown & Black

Height	5.5"		
Packaged	1-20' x .625" x 5.5" Strip, 13 lbs		
Shipped	5 Strips per Bundle		
Order Quantity	50 Strips = 10 Bundles 100 Strips = 1 Lift		
Product Code	Light Brown PB6-20LB	Dark Brown PB6-20B	Black PB6-20BL

3.5" POLY BOARD EDGING (DISPLAY) 8'

SPECS & DETAILS



* Only Available in Dark Brown

Height	3.5"		
Packaged	90 - 8ft Strips		
Shipped	90 Strips per Display		
Order Quantity	90 Strips = 1 Display		
Product Code	PB4-8B		



Click Here to view product Installation video

SUITABLE FOR STRAIGHT, CURVED AND IRREGULAR EDGES

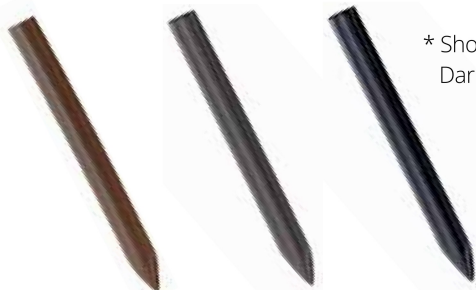


SEE OUR RETAIL CATALOG FOR COILED BENDER BOARD OPTIONS

POLY BOARD STAKES

POLY BOARD 1" X 4" POLY STAKES

SPECS & DETAILS



* Shown in Light Brown, Dark Brown & Black

Length	12"		
Packaged	50-12" Poly Stakes Loose		
Shipped	50 per Box		
Order Quantity	50 Stakes = 1 Box		
Product Code	Light Brown PBAS4-BLB	Dark Brown PBAS4-BB	Black PBAS4-BBK

POLY BOARD 1" X 6" POLY STAKES

SPECS & DETAILS



Length	18"		
Packaged	50-18" Poly Stakes Loose		
Shipped	50 per Box		
Order Quantity	50 Stakes = 1 Box		
Product Code	Light Brown PBAS6-BLB		

POLY BOARD METAL ANCHOR STAKES COATED

SPECS & DETAILS



Length	13"		
Packaged	50-13" Metal Stakes Loose		
Shipped	50 per Box		
Order Quantity	50 Stakes = 1 Box		
Product Code	Brown SKPB4-50BRWN		

POLY BOARD METAL ANCHOR STAKES (DISPLAY) COATED

SPECS & DETAILS



• Each Stake with UPC Sticker

Length	13"		
Packaged	100-13" Metal Stakes (Loose) per Display Box		
Shipped	100 Stakes per Display Box		
Order Quantity	100 Stakes = 1 Display Box		
Product Code	Black PCOAT-13BL		

POLY BOARD EDGING 20' / 6.1M LENGTH



Poly Board is the Steel and Aluminum Edging Alternative!

- Flexible
- Easy to Work With
- Safer than Steel
- Safe for Children and Animals
- UV Protection Added
- No Trim Cap Needed
- Will Not Rust
- Anchor Stakes Sold Separately
- Looks great on straights and bends
- Exploding use with synthetic turf



The installer should install the poly anchor stakes with **SCREWS**.

- Poly anchor stakes are to be screwed into the sidewall of poly board. **ONLY** use screws one (1) inch in length. Using screws that are longer will puncture through the sidewall of the poly board
- Use two screws per anchor stake
- Install minimum six poly anchor stakes per 20 ft. length (every three feet). Additional anchor stakes recommended for curved designs 18 in. apart

PRIOR TO INSTALLATION:

Using a flat shovel or trenching machine, dig a trench to desired depth.



1 Use metal anchor stake at connection points **ONLY**



2 Leave 1 ¼" gap for expansion/contraction of the plastic



3 Use protective eyewear and gloves when pounding stakes



4 When the install is complete, all that should be seen in the head of the anchor stake



EARTH EDGINGS™ RUBBER ROLLS

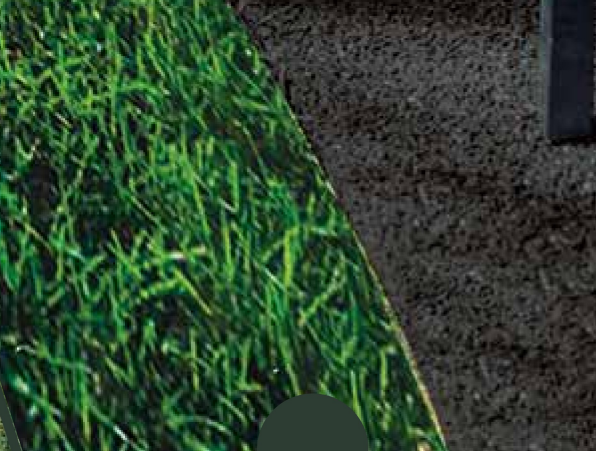
**THE GREENEST
PRODUCT ON
THE MARKET
HAPPENS TO
BE THE MOST
USEFUL.**



Use Upright against sidewalks and driveways to separate wood chips or pine straw!



Use the rubber roll as a path across grass, woodchips and garden areas of any yard.



Install underneath fence lines and secure into place with poly nails to eliminate spraying and weed whacking.

EARTH EDGINGS™
RUBBER ROLLS 8' / 2.4M LENGTH



Earth Edgings™ Rubber Rolls create no spraying or trimming edges and are the most versatile landscaping tool on the market.

MAXIMIZE YOUR PROFIT!

No Need for string trimmers or spraying chemicals



HIGHLIGHTS

- Under Fences and Around Flower Beds
- Made from Recycled Tires
- Beautifies and Protects
- Prevents Weeds and Grasses
- 0.5 " Thick by 8' / 2.4M length



Additional Revenue Generator for Landscape Contractors



Can be used on any style of fence!

EARTH EDGINGS™ RUBBER ROLL 8' BLACK

SPECS & DETAILS



Width	5"
Packaged	1-8' Roll and 4-9" Poly Nails per Roll
Shipped	4 Rolls per Carton
Order Quantity	4 Rolls = 1 Carton
Product Code	EER-8BK-D



Each Roll includes: 4-9" Poly Nails
Additional Poly Nails available
on page 23

EARTH EDGINGS™ RUBBER ROLL 8' CEDAR RED

SPECS & DETAILS



Width	5"
Packaged	1-8' Roll and 4-9" Poly Nails per Roll
Shipped	4 Rolls per Carton
Order Quantity	4 Rolls = 1 Carton
Product Code	EER-8CR-D



Each Roll includes: 4-9" Poly Nails
Additional Poly Nails available
on page 23



PAVER RESTRAINTS



LIMITLESS LANDSCAPE BEAUTY with Valley View Paver Restraints

Our line of paver restraints are designed for easy installation and last forever under the most demanding areas of traffic and weather conditions. Although we carry multiple shapes, lengths, and heights; they all are designed to last permanently.

**Most Diverse Selection
of Paver Restraints
with 6', 8', 15' Options!**

- 6'** Diamond-Lok L Shape
- 8'** Diamond Paver Edging
- 15'** Diamond-Lok L Shape
- 15'** Diamond-Lok T Shape

Diamond Paver Edge Uses



Can easily be converted to form curves!



An excellent alternative to steel edging



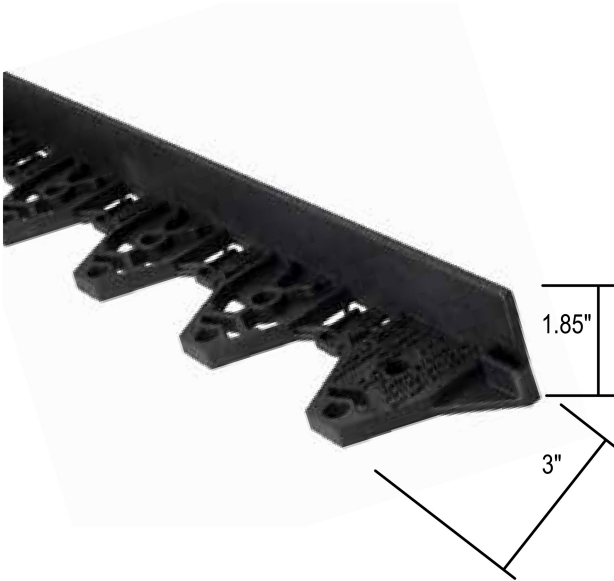
Becomes almost invisible after backfilling

DIAMOND PAVER EDGE

8' / 2.4M LENGTH

DIAMOND PAVER EDGING - 8'

SPECS & DETAILS



Height	1.85"
Packaged	10-8' Strips per Bundle
Shipped	10-8' Strips per Bundle
Order Quantity	10 Strips = 1 Bundle
Product Code	DPE-8

- Most economical priced paver restraint in the industry for an 8' length product
- Strong enough for string trimmers / deck mowers
- Foot design allows for Valley View metal anchor stake or nails found on pg 22
- Easily made flexible by using a pruner

DIAMOND PAVER EDGING - 8' PALLET

SPECS & DETAILS



Height	1.85"
Packaged	10-8' Strips per Bundle
Shipped	63 Bundles (630 Strips) per Pallet
Order Quantity	630 Strips = 1 Pallet
Product Code	DPE-8-630

- Save the most money when you buy in bulk
- Most economical priced paver restraint in the industry for an 8' length product
- Strong enough for string trimmers / deck mowers
- Foot design allows for Valley View metal anchor stake or nails found on pg 22
- Easily made flexible by using a pruner

DIAMOND-LOK

15' / 4.6M LENGTH

Diamond-Lok Paver Edging is designed to provide an easy installation and create a permanent edge restraint under the most demanding traffic conditions. Available in 15' and 6' lengths, flexible and rigid configurations, in "T" and "L" shape designs, the Diamond-Lok line can fit any application.

DIAMOND-LOK FLEXIBLE "L" SHAPE - 15'

SPECS & DETAILS



Height	1.75"
Packaged	1-15' Strip and 8-9" Metal Stakes
Shipped	10 Strips per Bundle
Order Quantity	50 Strips = 5 Bundles
Product Code	DLLF-15

DIAMOND-LOK FLEXIBLE "T" SHAPE - 15'

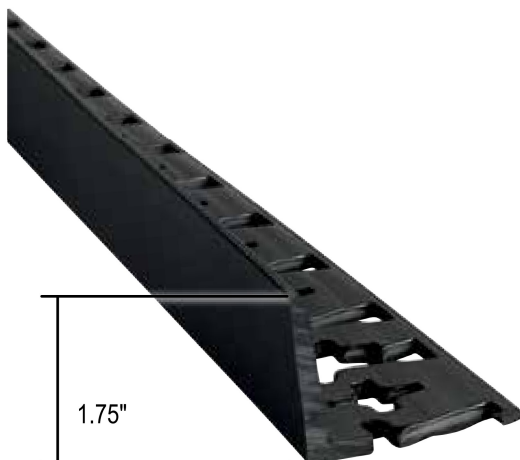
SPECS & DETAILS



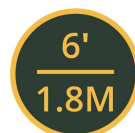
Height	1.75"
Packaged	1-15' Strip and 8-9" Metal Stakes
Shipped	5 Strips per Bundle
Order Quantity	25 Strips = 5 Bundles
Product Code	DLF-15

DIAMOND-LOK FLEXIBLE "L" SHAPE - 6'

SPECS & DETAILS

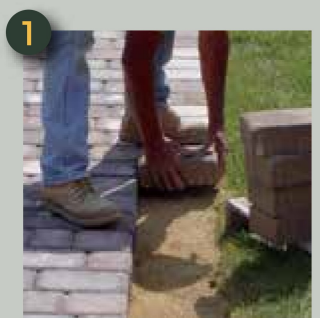


Height	1.75"
Packaged	50-6' Strips
Shipped	50 Strips per Box
Order Quantity	50 Strips = 1 Box
Product Code	DLLF6-50





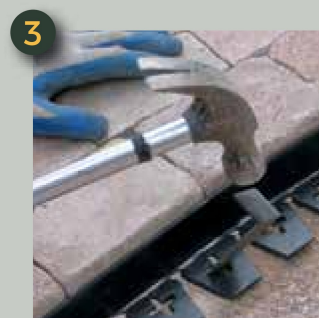
INSTALLATION TIPS FOR DIAMOND-LOK PAVER EDGING:



1 Always wear protective gloves before striking the anchor stake.



2 Slide the bottom section of the restraint until it is flush with the sidewall.



3 Hammer in anchor stakes at a 45° angle as shown. Hammer stakes every 2 feet.



4 Backfill with soil and sod flush against the edging of the sidewall.

Bulk Components (Metal)

METAL STAKE KITS



Length	9"
Packaged	4-9" Metal Stakes and 1-8" "C" Connector Taped Together per kit
Shipped	50 Kits per Box
Order Quantity	50 Kits = 1 Box
Product Code	SK-B

METAL LANDSCAPE NAILS - 10"



Length	10"	10"
Packaged	150 -10" Metal Nails per Box	150 - 10" Metal Nails per Box
Shipped	150 per Box	32 Boxes per Pallet
Order Quantity	150 Nails = 1 Box	32 Boxes = 1 Pallet
Product Code	LN-10	LN-10-32

DIAMOND-LOK STAKES - BULK



Length	9"
Packaged	8-9" Metal Stakes Taped Together per Kit
Shipped	25 Kits per Box
Order Quantity	25 Kits = 1 Box
Product Code	DLS-8B

METAL ANCHORING STAKES



Length	9"
Packaged	200-9" Loose Metal Stakes
Shipped	200 Loose Metal Stakes per Box
Order Quantity	200 Stakes = 1 Box
Product Code	BAS

Bulk Components (Poly)

Additional accessory displays available in our RETAIL catalog

POLY STAKE KIT



Length	9"
Packaged	6-9" Poly Stakes and 1-8" "C" Connector per kit
Shipped	50 Kits per Box
Order Quantity	50 Kits = 1 Box
Product Code	PSK-B6

90° CORNER CONNECTOR



Packaged	1-90° Corner Connector and 2-"C" Connectors per bag
Shipped	50 Bags per Box
Order Quantity	50 Bags = 1 Box
Product Code	90-B

ANGULAR CONNECTORS VARIETY PACK



Packaged	18-90°, 16-120° and 16-TEE Connectors (Loose) per box
Shipped	50 Connectors per Box
Order Quantity	50 Connectors = 1 Box
Product Code	VPK-B

8" RIBBED EDGING CONNECTORS



Packaged	100 "Full Circle" Connectors (Loose)
Shipped	100 Connectors per Box
Order Quantity	100 Connectors = 1 Box
Product Code	EC-B

8" RIBBED EDGING "C" CONNECTORS



Packaged	100 "C" Connectors (Loose)
Shipped	100 Connectors per Box
Order Quantity	100 Connectors = 1 Box
Product Code	EC-C-B

POLY NAILS 9" BLACK



Length	9"
Packaged	8-9" Poly Nails per Bag
Shipped	10 Bags per Box
Order Quantity	10 Bags = 1 Box
Product Code	PN-R8-BBK

- Longer Nail for Greater Hold
- Ribbed Top for Strong Adaption to Edging
- Spiral Base to Resist Frost Heave
- U.S. Patent No. 9,980,441
- Canada Patent No. 2,958,242

90° CORNER CONNECTOR DISPLAY

SPECS & DETAILS



Packaged	1-90° Corner Connector per Bag
Shipped	1-90° Corner Connector and 2-"C" Connectors per Bag
Order Quantity	12 Bags = 1 Display Box
Product Code	90-SP12

POLY DISPLAY



WORLDWIDE DISTRIBUTION OF OUR QUALITY PRODUCT LINE



ValleyView[®]
Industries

13834 S. Kostner Ave.
Crestwood, IL 60418
(800) 323-9369

FIND US ONLINE

-  ValleyViewInd.com
-  facebook.com/valleyviewind
-  twitter.com/valleyviewind