



Fall/Winter CATALOG 2023

OUR BUSINESS IS
HELPING YOU *grow*



POLY-TEX

OUR BUSINESS IS HELPING YOU *grow*



CONTENTS

	What's New	3
	Seasonal Retail Greenhouses	4-10
	Cart Corrals	11
	Plant Displays	12-29
	Display Accessories	30-31
	Benches	32-33
	Shade Systems	34-38
	Shade Cloth/Covering	39
	Commercial Greenhouses	40-43
	High Tunnels	44-49
	Ventilation Systems	50-52
	Greenhouse Accessories	53-54
	Order Information	55

WHAT'S NEW?

You asked for it and we made it! New displays to better suit our customers' needs.

The new PX7027 Tall Bench Display has nearly 30" of space between the bottom and top benches! Perfect for taller planters or merchandise, this display also has optional hanging basket purlins.



See page 14



The **new** PX7033 and PX4033 Multi-Tier Displays offer max versatility when it comes to bench placement!

See page 22



Grow and display on our new line of plastic top grow benches! Galvanized steel frames for strength and corrosion resistance plus durable plastic grid tops for easy cleaning. **See page 33 for more info or visit www.poly-tex.com for pricing.**



TOOL FREE



GARDEN MART®

This structure was designed with the three E's in mind—Ease, Economy, and Efficiency. The ease of our tool-free snap button design allows for simplified set-up in just hours. Economically, you'll benefit from this structure's convenient ventilation options and built-in display benching, which allows for greater merchandising of flats and hanging baskets. Easy expansion options ensure you can efficiently upgrade your operation at any time.

Made with **GATORSHIELD®** Stronger Than Your Average Steel Tube

FEATURES

Polyethylene Film Choices: Choose from white or clear poly film with Wiggle Wire® attachment system.

Hold Down System Selection: We have an option to suit your needs; choose from water tubes, ground stakes or leg stands.

Side Benching Brackets Included: Structure comes complete with side display brackets ready for optional bench tops so you can simply assemble and sell.

Hanging Basket Purlins: Structure comes with four runs of hanging basket purlins and attractively displays baskets conveniently within your customer's reach.

Double Sliding End Door: Space saving double sliding door measures six feet wide and provides ample room for customer and cart access.

Center Benching: Select from our Flat Stacker or Tiered Display.

Ventilation Options: Your selection of Slide-Side or Roll-up Side ventilation; both allow you to easily control the climate of your structure; Slide-Side Ventilation is constructed of 8mm commercial grade polycarbonate sheeting; Roll-up Sidewall Vents include a self-locking gearbox.

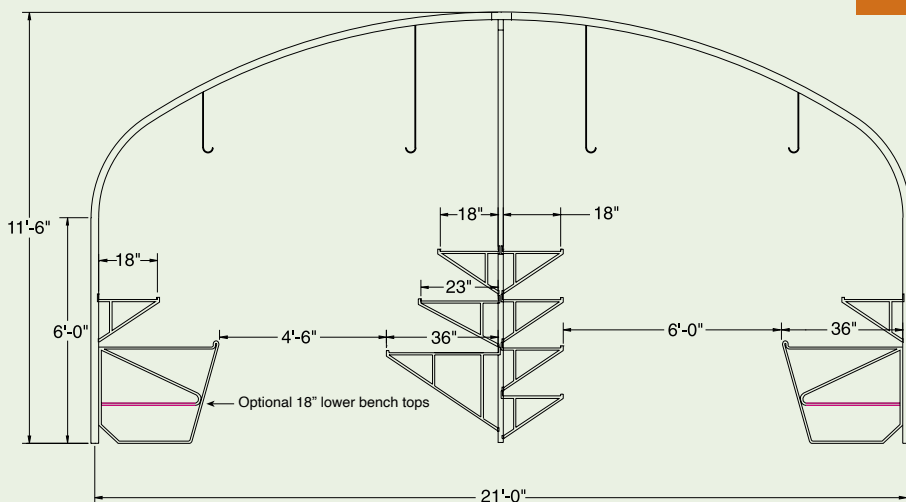


Snap Button Design

Simple and strong. Our snap button connection system, decreases your set-up time and provides added strength.



Roll-up or Slide-Side Ventilation
Optional roll-up sidewall vents with self-locking gearbox will provide even greater control of airflow. Slide-Side Ventilation is constructed of 8mm commercial grade polycarbonate sheeting.



SPECIFICATIONS

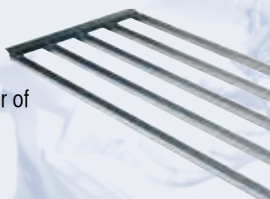
- Width:** 21'
- Length:** 24'-96' (in 6' sections)
- Sidewall Height:** 6'
- Height to Apex:** 11'-8"
- Frame Spacing:** 6'
- Door:** (2) 3' wide x 6'-8" high
- Cover:** Clear or white 6 mil. UVI treated polyethylene
- End Wall Cover:** Clear 6 mil. UVI treated polyethylene
- Frame:** 2" O.D. 14 ga. galvanized steel tubing
- Ventilation:** Slide-Side or Roll-Up sides



Garden Mart Base Package Includes: 2" O.D. 14 ga. galvanized snap-button frame with wind braces, (4) full-length runs of hanging basket purlins, integrated center & side bench support brackets, Slide-Side or Roll-up Side ventilation, (1) set of double sliding end doors, clear or white single layer 6mil roof and end wall polyethylene, Wiggle Wire poly fastenings system, assembly hardware and instructions

PACKAGE OPTIONS

Upgrade your Base Package with either of these benching packages:



Standard Bench Package:
Great for displaying flats! Includes: Two-tier arrangement roll-form bench tops for the sides of your greenhouse and your choice of either tiered or flat stacker style roll-form bench tops for the center.



Expanded Metal Bench Package:
Display flats as well as smaller items that aren't in a tray. Includes: Two-tier arrangement expanded metal bench tops for the sides and your choice of tiered or flat stacker expanded metal bench tops for the center.

Capacity			
Standard Sizes	Benching Area	Flat Capacity (1020 style)	Basket Capacity (10" baskets)
21' x 24'	360 sq. ft.	216	96
21' x 30'	486 sq. ft.	294	120
21' x 36'	612 sq. ft.	372	144
21' x 42'	738 sq. ft.	450	168
21' x 48'	864 sq. ft.	528	192
21' x 54'	990 sq. ft.	606	216
21' x 60'	1,116 sq. ft.	684	240
21' x 96'	1,242 sq. ft.	1,152	384
6' add'l. sections	126 sq. ft.	78	24

GARDEN MART ADDITIONS



Additional Side Door
Add a side door to your structure for improved traffic flow and customer access between garden center areas.



Additional End Door
Add an end door to your structure for improved traffic flow and ventilation.

ACCESSORIES Additional items to round out your garden center:



Cart Corrals and Signage:
see page 11.



Basket Hanger Displays:
see page 27



Wide Selection of Sign Holders:
see page 31.

**TOOL
FREE**



BENCH-MART SR®

The perfect size to begin selling live goods, the Bench-Mart SR is designed to sell an enormous amount of product without disrupting traffic flow in your parking lot. The 17' width usually fits in the length of just one parking space (about 18'). Easy, snap button assembly and great features will have you up and in top selling shape in no time!

Made with **GATORSHIELD®** Stronger Than Your Average Steel Tube

FEATURES

Polyethylene Film Choices: Choose from white or clear poly film with Wiggle Wire® attachment system.

Hold Down System Selection: Choose from water tubes or spikes for secure structure placement.

Center and Side Benching Included: Built-in side and center display brackets and standard bench tops ensure you can start selling quickly.

Hanging Basket Purlins: Structure comes with four runs of hanging basket purlins and attractively displays baskets conveniently within your customer's reach.

Double Sliding End Door: Space saving sliding door measures six feet wide and provides ample room for customer and cart access.

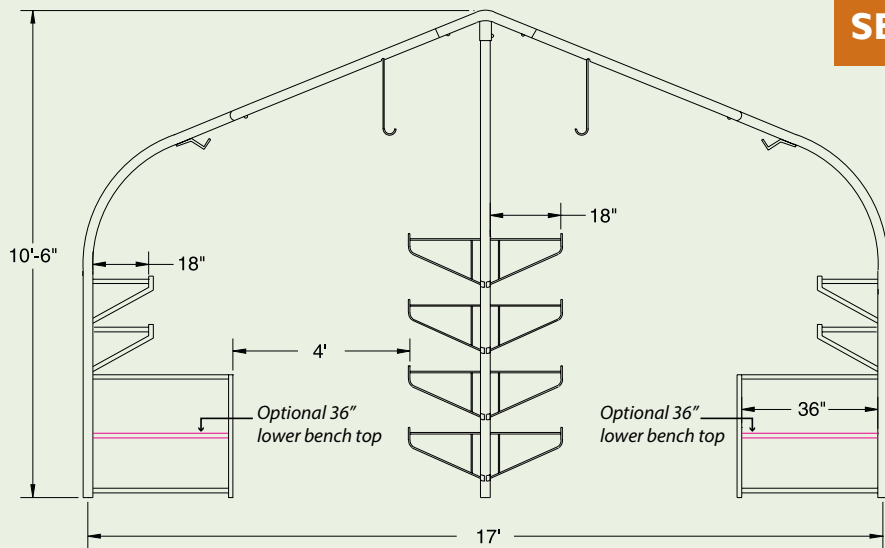
Slide-Side Ventilation: Constructed of 8mm commercial grade polycarbonate sheeting, our Slide-Side Ventilation helps you easily control the climate and airflow of your structure.



Snap Button Design
Simple and strong.
Our snap button connection system, decreases your set-up time and provides added strength.



EZ Sign Holder
Quickly attaches to any of our bench tops.
A variety of merchandising options (stand-alone, table top, stake, etc.) see page 31.



SPECIFICATIONS

- Width:** 17'
- Length:** 24'-96' (in 6' sections)
- Sidewall Height:** 6'
- Height to Apex:** 10'-6"
- Frame Spacing:** 6'
- Door:** (2) 3' wide x 6'-8" high
- Cover:** Clear or white 6 mil. UVI treated polyethylene
- End Wall Cover:** Clear 6 mil. UVI treated polyethylene
- Frame:** 1.66" O.D. 16 ga. galvanized steel tubing
- Ventilation:** Slide-Side



Bench-Mart SR Base Package Includes: 1.66" O.D. 16 ga. galvanized snap-button frame, (4) full-length runs of hanging basket purlins, integrated center & side bench support brackets and standard bench tops, Slide-Side ventilation, (1) set of double sliding end doors, Clear or white UVI treated 6mil roof and end wall polyethylene, Wiggle Wire poly fastenings, water tube or spike hold down system, assembly hardware and instructions.

PACKAGE OPTIONS

Upgrade your Base Package with the Expanded Metal Bench Package



Expanded Metal Bench Package: Perfect for displaying flats as well as hard goods or smaller items that aren't in a tray. Includes two-tier arrangement expanded metal bench tops for the sides and your choice of tiered or flat stacker expanded metal bench tops for the center.

Bench-Mart SR				
Size	Benching Area	Flat Capacity (1020 style)		Basket Capacity (10" Baskets)
		Standard Bench Package	w/Additional Lower Bench Top	
17' x 24'	432 sq. ft.	264	336	132
17' x 30'	576 sq. ft.	354	444	162
17' x 36'	720 sq. ft.	444	552	192
17' x 42'	864 sq. ft.	534	660	222
17' x 48'	1,008 sq. ft.	624	768	252
17' x 54'	1,152 sq. ft.	714	876	282
17' x 60'	1,296 sq. ft.	804	984	312
6' additions	144 sq. ft.	90	108	30

BENCH-MART SR ADDITIONS



Additional Side Door: Add a side door to your structure for improved traffic flow and customer access between garden center areas.



Additional End Door: Add an end door to your structure for improved traffic flow and ventilation.

ACCESSORIES Additional items to round out your garden center:



Wide Selection of Sign Holders: see page 31.



Additional display benches: see page 12.



Cart Corrals and Signage: see page 11.



KOOL-MART

The Kool-Mart is one of our most economical structures yet it still offers the same quality construction, snap button set-up, and high-volume display benching as our other seasonal retail greenhouses. It also features large roll-up doors on both ends for easy cart access and superior ventilation. Go from zero to garden center in just hours with the simple elegance of the Kool-Mart.

FEATURES

Polyethylene Film Choices: Choose from white or clear poly film with Wiggle Wire® attachment system.

Hold Down System: Easily installed spikes ensure secure structure placement.

Center and Side Benching Brackets

Included: Side and center display brackets and optional bench tops ensure you can start selling quickly.

Hanging Basket Purlins: Structure comes with six runs of hanging basket purlins and attractively displays baskets conveniently within your customer's reach.

Front and Rear Roll-Up End Doors: Space saving, maintenance free, roll-up doors are ten feet wide and provide ample access for customers and carts.

Modular Design: Allows you to easily and economically expand this structure.

Ventilation: Optional roll-up sidewall vents with self-locking gear box, provide a natural, simple, and effective way to control climate and airflow of your structure.

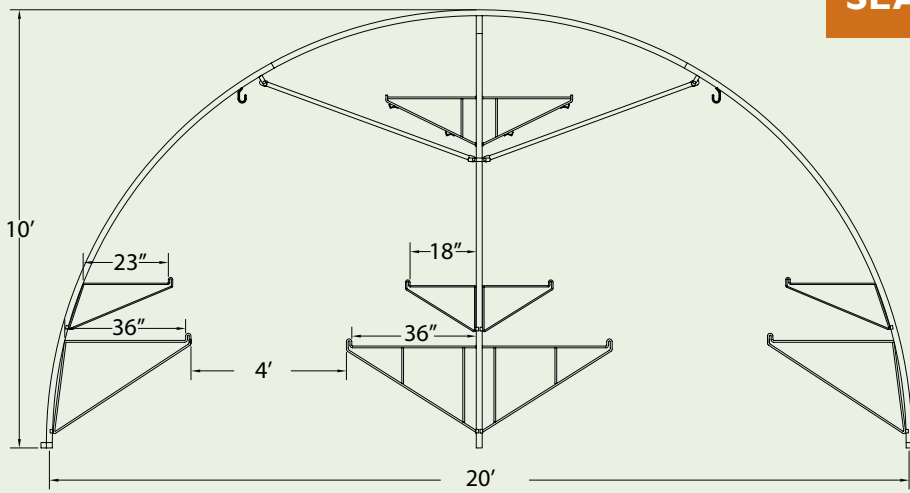
Made with **GATORSHIELD®** Stronger Than Your Average Steel Tube



Snap Button Design
Simple and strong.
Our snap button connection system, decreases your set-up time and provides added strength.



Roll-Up Sidewall Vents
Optional roll-up sidewall vents with self-locking gearbox will provide even greater control of airflow.



SPECIFICATIONS

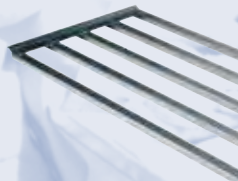
- Width:** 20'
- Length:** 24'-96' (in 6' sections)
- Height to Apex:** 10'
- Frame Spacing:** 6'
- Door:** (2) 10' wide x 7' high white, 3-ply reinforced polyethylene roll-up doors
- Cover:** Clear or white 6 mil. UVI treated polyethylene
- End Wall Cover:** Clear 6 mil. UVI treated polyethylene
- Frame:** 1.66" O.D. 16 ga. galvanized steel tubing



Kool-Mart Base Package Includes: 1.66" O.D. 16 ga. galvanized snap-button frame with wind braces, (6) full-length runs of hanging basket purlins, integrated center & side bench support brackets, (2) 10' wide roll-up end doors, clear or white UVI treated 6mil roof and end wall polyethylene, Wiggle Wire poly fastenings system, hold down spikes, assembly hardware and instructions.

PACKAGE OPTIONS

Upgrade your Base Package with either of these benching packages:



Standard Bench Package:

Great for displaying flats and other items on our bench tops. Includes: Two-tier arrangement roll-form bench tops for the sides of your greenhouse and your choice of either tiered or flat stacker style roll-form bench tops for the center.

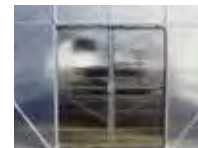


Expanded Metal Bench Package:

Perfect for displaying flats as well as hard goods or smaller items that aren't in a tray. Includes two-tier arrangement expanded metal bench tops for the sides and your choice of tiered or flat stacker expanded metal bench tops for the center.

Kool-Mart			
Standard Sizes	Benching Area	Flat Capacity (1020 style)	Basket Capacity (10" baskets)
20' x 24'	324 sq. ft.	180	96
20' x 30'	432 sq. ft.	240	132
20' x 36'	540 sq. ft.	300	168
20' x 42'	648 sq. ft.	360	204
20' x 48'	756 sq. ft.	420	240
20' x 54'	864 sq. ft.	480	276
20' x 60'	972 sq. ft.	540	312
20' x 96'	1,620 sq. ft.	900	528
6' add'l. sections	108 sq. ft.	60	36

KOOL-MART ADDITIONS



Sliding End Doors: Upgrade from roll-up front and end doors to these easily installed sliding doors.



Roll-Up Sidewall Vents Optional roll-up sidewall vents with self-locking gearbox will provide even greater control of airflow.

ACCESSORIES Additional items to round out your garden center:



Additional displays benches: see page 12.



Mulch and Rock Display see page 25.



Paver Display see page 25.



EZ-MART

Introducing the all new EZ-Mart! The perfect size for the small to medium garden retailer, this retail greenhouse includes: integrated expanded metal bench tops, Slide-Side ventilation for temperature control, and a swinging door with latch. It also features tool-free assembly so set-up is a snap!

FEATURES/OPTIONS

Side Benching Included: Built-in side brackets and expanded metal bench tops ensure quick merchandising.

Hanging Basket Purlins: Structure comes with two runs of hanging basket purlins and attractively displays baskets conveniently within your customer's reach.

Latching End Door: Single swinging door with latch and open door catch.

Tool-Free Assembly: Allows you to get your structure up and running without getting up and running around for materials.

Slide-Side Ventilation: An easy manner to provide climate control and air flow for your customers and plants.



SPECIFICATIONS

Width: 10'- 2"
Length: 6'- 24'
Sidewall Height: 6'
Height to Apex: 8'- 10"
Frame Spacing: 6'
Door: Single 42" wide x 6'- 8" high
Ventilation: Slide-Side

Cover: White 6 mil. UVI polyethylene
End Wall Cover: Clear 6 mil. UVI polyethylene
Frame: 1.25" O.D. 14 ga. sq. galvanized steel tube frame and 18 ga. galvanized steel roll-form



EZ-Mart					
Part Number	Size	Door Count	Benching Area	Flat Capacity (1020 style)	Basket Capacity (10" baskets)
EZ3006	10' x 6'	1 Door	54 sq. ft.	48	12
EZ3012	10' x 12'	1 Door	108 sq. ft.	96	24
EZ3012-2D	10' x 12'	2 Doors	108 sq. ft.	96	24
EZ3018	10' x 18'	1 Door	162 sq. ft.	144	36
EZ3018-2D	10' x 18'	2 Doors	162 sq. ft.	144	36
EZ3024	10' x 24'	1 Door	216 sq. ft.	192	48
EZ3024-2D	10' x 24'	2 Doors	216 sq. ft.	192	48



Expanded Metal Bench Tops: These bench tops allow you to increase your merchandising options to include smaller products, **see page 12.**



Additional End Door: Add an end door to your structure for improved traffic flow and customer access between garden center areas.



CART CORRALS AND SIGNAGE

Having conveniently located cart corrals offers your customers a professional finishing touch to their shopping experience. Our Cart Corral sets up quickly and is available in single or double bays and single or double sides, in 10', 12' or 14' lengths. We can also assist you with your signage needs.



Made with **GATORSHIELD**® Stronger Than Your Average Steel Tube

DESIGN YOUR OWN CUSTOM SIGNAGE



Snap Button Design

Simple and strong. Our snap button connection system, decreases your set-up time and provides added strength.

Cart Corral Signs
Call for Pricing

Sign Holders	
Part #	Description
CC0102	Cart Corral Sign Holder - 36"
CC0403	Cart Corral Sign Holder - 72"

Cart Corral	
Part #	Description
CC3610	Cart Corral Single Lane - 10'
CC7210	Cart Corral Double Lane - 10'
CC3620	Cart Corral 2-Way Single Lane - 20'
CC7220	Cart Corral 2-Way Double Lane - 20'
CC3612	Cart Corral Single Lane - 12'
CC7212	Cart Corral Double Lane - 12'
CC3624	Cart Corral 2-Way Single Lane - 24'
CC7224	Cart Corral 2-Way Double Lane - 24'
CC3614	Cart Corral Single Lane - 14'
CC7214	Cart Corral Double Lane - 14'
CC3628	Cart Corral 2-Way Single Lane - 28'
CC7228	Cart Corral 2-Way Double Lane - 28'

Cart Corral Double Lane

Cart Corral 2-Way Double Lane



FENCE-ON-A-STEP BENCH®

PX7001

The PX7001 display offers lots of space in a semi-tiered design. With several configurations, you'll find just the one to suit your needs. Use as a freestanding display, back-to-back as a center aisle, or connected in a run of any length.



evolutions
MODULAR DISPLAY SYSTEM



PX7001
Base bench model



patented



No tools required for assembly!

PX7001-CP

Made with **GATORSHIELD** Stronger Than Your Average Steel Tube

SPECIFICATIONS

Construction: Galvanized steel
Capacity: (27) 1020-style flats per 6-foot section
Base Dimensions: 73.25" w x 37.5" d x 44.5" h

PX7001 Configurations	
Part #	Description
PX7001	Single unit w/expanded metal (standard)
PX7001-P	Single unit w/Double Purlin
PX7001-S	Single unit w/Sign Holder
PX7001-C	Single unit w/Casters
PX7001-CP	Single unit w/Casters + Purlin
PX7001-CS	Single unit w/Casters + Sign Holder
PX7001-XT6	6' Extension for single unit
PX7001-XT6P	6' Extension for Single Unit w/Purlin
PX7001-XT6S	6' Extension for Single Unit w/Sign Holder

*Splitting connected runs may require additional components. Call for more information.

NEW FEATURE!



Double Hanging Basket Purlin
The purlin available for this display is now a double purlin—twice the baskets in the same footprint!

Ask about our new 4' versions on several of our Evolutions displays

STEP DISPLAY

PX7003

The perfect double-sided display the PX7003 can stand alone as an island or connect in a run to create aisles that can be shopped from both sides. It includes "stepped" bench tops on either side and a large center area-all with expanded metal bench tops for items large or small.



No tools required for assembly!



PX7003

patented



PX7003
Base bench model

PX7003 Configurations	
Part #	Description
PX7003	Single unit w/expanded metal (standard)
PX7003-12	12' Connected unit
PX7003-18	18' Connected unit
PX7003-24	24' Connected unit
PX7003-XT6	6' Extension for Single Unit

*Splitting connected runs may require additional components. Call for more information.

SPECIFICATIONS

Construction: Galvanized steel
Capacity: (24) 1020-style flats per 6-foot section
Base Dimensions: 73.25"w x 69.75"d x 30"h

Ask about our new 4' versions on several of our Evolutions displays

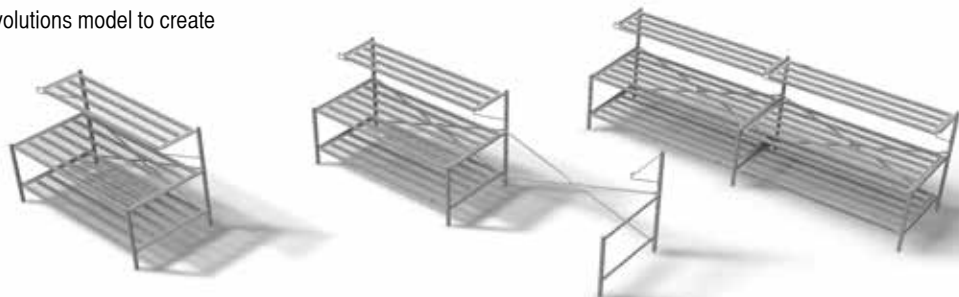


evolutions
MODULAR DISPLAY SYSTEM

Made with **GATORSHIELD**® Stronger Than Your Average Steel Tube

EXPAND YOUR DISPLAYS

Buy the Extension Kit for any Evolutions model to create connected runs of displays.



Please call 800-852-3443 for additional sizes, configurations, and pricing.

TALL 3 LEVEL DISPLAY

PX7026

Dream big and let your taller merchandise reach for the sky with the PX7026. This commanding display captures your customer's attention with an overall height of 71 inches—2' between each tier! Of course, you'll enjoy our galvanized steel construction and tool-free assembly, but this display also includes a standard sign holder for your pricing information.

PX7026 Configurations	
Part #	Description
PX7026-S	Single unit w/expanded metal (standard) + Sign holder
PX7026-S12	12' Connected unit
PX7026-S18	18' Connected unit
PX7026-S24	24' Connected unit
PX7026-XT6S	6' Extension for Single 6' Unit + Sign holder

*Splitting connected runs may require additional components. Call for more information.

SPECIFICATIONS

Construction: Galvanized steel
Capacity: (15) 1020-style flats per 6-foot section
Base Dimensions: 73.25"w x 32"d x 71.33"h



No tools required for assembly!



PX7026-S



TALL BENCH DISPLAY

PX7027

The new PX7027 Tall Bench Display offers nearly 30" between bench tops for your taller items and an optional double hanging basket purlin for additional display space. Extra deep expanded metal bench tops allow you to place more of the larger pots associated with your taller items.

PX7026 Configurations	
Part #	Description
PX7027	6' Single unit w/expanded metal (standard)
PX7027-12	12' Connected unit
PX7027-18	18' Connected unit
PX7027-24	24' Connected unit
PX7027-P	6' Single unit w/expanded metal (standard) + Purlin
PX7027-P12	12' Connected unit + Purlin
PX7027-P18	18' Connected unit + Purlin
PX7027-P24	24' Connected unit + Purlin
PX7027-XT6	6' Extension for Single 6' Unit
PX7027-XT6P	6' Extension for Single 6' Unit + Purlin

SPECIFICATIONS

Construction: Galvanized steel
Capacity: (18) 1020-style flats per 6-foot section
 Optional double purlin holds (12) 10-inch hanging baskets per 6-foot section
Base Dimensions: 73.25"w x 37.25"d x 44.5"h



No tools required for assembly!



PX7027-P



BENCH DISPLAY

PX7006

Basic, sturdy, expandable—those are the necessary requirements for any display unit, and you'll certainly find them with our PX7006. You can add casters, cross-merchandisers or powder coating to customize this display or connect multiple benching sections to create a connected run to fit your space.



PX7006-C



patented



PX7006 Configurations	
Part #	Description
PX7006	Single unit w/expanded metal (standard)
PX7006-C	Single unit w/expanded metal (standard) + Casters
PX7006-XT6	6' Extension for Single Unit w/expanded metal (standard)

*Splitting connected runs may require additional components. Call for more information.



PX7006
Base bench model



No tools required for assembly!

Made with **GATORSHIELD**® Stronger Than Your Average Steel Tube

SPECIFICATIONS

Construction: Galvanized steel
Capacity: (18) 1020-style flats per 6-foot section
Base Dimensions: 73.25" w x 37.5" d x 30" h



Get your shelves to multi-task, too! Put complementary products at customers fingertips with this easy to hang cross merchandiser. **see page 31.**



DOUBLE BENCH DISPLAYS



No tools required for assembly!

Hold it ALL with these high-capacity display units meant to be shopped from both sides. All three feature tool-free assembly, galvanized steel construction, and our patented shared end support system for extended runs. With three depths to choose from, you have the flexibility to design aisles that fit within your given space. Choose the “Y” purlin configurations and you’ll gain an impressive 24 feet for hanging baskets per 6’ display.



PX7024-P

patented



PX7023-S

patented



PX7022

patented

EXPAND YOUR DISPLAYS

Buy the Extension Kit for any Evolutions model to create connected runs of displays.



Made with **GATORSHIELD**® Stronger Than Your Average Steel Tube



PX7023
Base bench model

PX7023 Configurations

Part #	Description
PX7023	3' unit w/expanded metal (standard)
PX7023-S	3' unit w/expanded metal (standard) + Sign holder
PX7023-P	3' unit w/expanded metal (standard) + Purlin
PX7023-XT6	6' Extension for Single 3' Unit
PX7023-XT6P	6' Extension for 3' Unit w/ Purlin
PX7023-XT6S	6' Extension for Single 3' Unit + Sign holder

*Splitting connected runs may require additional components. Call for more information.

SPECIFICATIONS

Construction: Galvanized steel

Capacity: (24) 1020-style flats per 6-foot section

Optional 47.5" high basket purlin holds (24) 10-inch hanging baskets

Base Dimensions: 73.25"w x 41.5"d x 30"h



PX7022
Base bench model

PX7022 Configurations

Part #	Description
PX7022	4' unit w/expanded metal (standard)
PX7022-S	4' unit w/expanded metal (standard) + Sign holder
PX7022-P	4' unit w/expanded metal (standard) + Purlin
PX7022-XT6	6' Extension for Single 4' Unit
PX7022-XT6P	6' Extension for 4' Unit w/ Purlin
PX7022-XT6S	6' Extension for Single 4' Unit + Sign holder

*Splitting connected runs may require additional components. Call for more information.

SPECIFICATIONS

Construction: Galvanized steel

Capacity: (24) 1020-style flats per 6-foot section

Optional 47.5" high basket purlin holds (24) 10-inch hanging baskets

Base Dimensions: 73.25"w x 50.25"d x 30"h



PX7024
Base bench model

PX7024 Configurations

Part #	Description
PX7024	6' unit w/expanded metal (standard)
PX7024-S	6' unit w/expanded metal (standard) + Sign holder
PX7024-P	6' unit w/expanded metal (standard) + Purlin
PX7024-XT6	6' Extension for Single 6' Unit
PX7024-XT6P	6' Extension for 6' Unit w/ Purlin
PX7024-XT6S	6' Extension for Single 6' Unit + Sign holder

*Splitting connected runs may require additional components. Call for more information.

SPECIFICATIONS

Construction: Galvanized steel

Capacity: (36) 1020-style flats per 6-foot section

Optional 47.5" high basket purlin holds (24) 10-inch hanging baskets

Base Dimensions: 73.25"w x 73.5"d x 30"h

NEW FEATURE!



Double Hanging "Y" Basket Purlin Design

This option really brings the color up to eye level and allows you to sell hanging baskets on the same footprint as flats!



Get your shelves to multi-task, too!

Put complementary products at customers fingertips with this easy to hang cross merchandiser. **see page 31**

Ask about our new 4' versions on several of our Evolutions displays

TRI-STEP DISPLAY

TOOL FREE
No tools required for assembly!

PX7020

A little variety can make a big difference. That's why we offer our PX7020 display. Shelf depth reduces gradually from 36 to 24 to 18 inches for improved product placement and visual appeal. Options like hanging basket purlins, casters, sign holder and powder coating allow for even greater visual range.



evolutions
MODULAR DISPLAY SYSTEM

Double Hanging Basket Purlin

The purlin available for this display is now a double purlin-twice the baskets in the same footprint!



PX7020 Configurations	
Part #	Description
PX7020	Single unit w/expanded metal (standard)
PX7020-P	Single unit w/Double Purlin
PX7020-S	Single unit w/Sign Holder
PX7020-C	Single unit w/Casters
PX7020-CP	Single unit w/Casters + Purlin
PX7020-CS	Single unit w/Casters + Sign Holder
PX7020-XT6	6' Extension for single unit
PX7020-XT6P	6' Extension for Single Unit w/Purlin
PX7020-XT6S	6' Extension for Single Unit w/Sign Holder

*Splitting connected runs may require additional components. Call for more information.

Made with **GATORSHIELD**® Stronger Than Your Average Steel Tube

SPECIFICATIONS

Construction: Galvanized steel
Capacity: (24) 1020-style flats per 6-foot section
 Optional 47.5" high double purlin holds (12) 10-inch hanging baskets per 6-foot section
Base Dimensions: 73.25"w x 40"d x 44.5"h

Ask about our new 4' versions on several of our Evolutions displays

DOUBLE TRI-STEP DISPLAY

TOOL FREE
No tools required for assembly!

PX7021

Featuring the same “stepped” shelf depth (from 36 to 24 to 18 inches), this unit gives you all the visual appeal of our Tri-Step display... times two, and our patented shared end support connecting system allows you to create aisles of color. You'll appreciate our tool-free assembly and galvanized steel construction. Choose a configuration with double hanging basket purlins for more display space or the double-sided 7" sign holder for an easy signage option.



PX7021 Configurations	
Part #	Description
PX7021	Single unit w/expanded metal (standard)
PX7021-S	Single unit w/expanded metal (standard) + Sign holder
PX7021-P	Single unit w/expanded metal (standard) + Purlin
PX7021-XT6	6' Extension for Single 6' Unit
PX7021-XT6P	6' Extension for 6' Unit w/ Purlin
PX7021-XT6S	6' Extension for Single 6' Unit + Sign holder

*Splitting connected runs may require additional components. Call for more information.



SPECIFICATIONS

Construction: Galvanized steel
Capacity: (48) 1020-style flats per 6-foot section
 Optional 48" high double basket purlin holds (24) 10-inch hanging baskets
Base Dimensions: 73.25"w x 75.5"d x 44.5"h

Ask about our new 4' versions on several of our Evolutions displays

Made with **GATORSHIELD**® Stronger Than Your Average Steel Tube

2-TIER DISPLAYS

PX7030 & PX4030 Step it up with our tiered units featuring a narrower profile for tight spaces or sidewalk display areas-now available with hanging basket purlins! Choose from 4' or 6' wide models with several configurations and options including purlins, casters, sign holders or cross merchandisers. More merchandise in a smaller footprint!



PX7030-CP

Now with Hanging Basket Purlins!



PX4030

SPECIFICATIONS

Construction: Galvanized steel
Capacity: (12) 1020-style flats per 6-foot section
Base Dimensions: 73.25" w x 27.5" d x 30" h



PX7030
Base bench model

SPECIFICATIONS

Construction: Galvanized steel
Capacity: (9) 1020-style flats per 4-foot section
Base Dimensions: 49.25" w x 27.5" d x 30" h

PX7030 Configurations	
Part #	Description
PX7030	6' Single unit w/expanded metal (standard)
PX7030-CP	6' Single unit w/Casters + Purlin
PX7030-P	6' Single unit w/Purlin
PX7030-XT6	6' Extension for Single 6' Unit
PX7030-XT6P	6' Extension for 6' Unit w/ Purlin
PX7030-XT6S	6' Extension for Single 6' Unit + Sign holder

*Splitting connected runs may require additional components. Call for more information.

PX4030 Configurations	
Part #	Description
PX4030	4' Single unit w/expanded metal (standard)
PX4030-C	4' Single unit w/Casters
PX4030-3B	4' Single unit with 3 bench tops
PX4030-3BC	4' Single unit with 3 bench tops + casters

Made with **GATORSHIELD** Stronger Than Your Average Steel Tube



EXPAND YOUR DISPLAYS

Buy the Extension Kit for any Evolutions model to create connected runs of displays.

3-TIER DISPLAY

PX7032

Step it up with our tiered units featuring a narrower profile for tight spaces or sidewalk display areas-now available with hanging basket purlins! Choose from several configurations and options including purlins, casters, powder coated colors, sign holders or cross merchandisers. More merchandise in a smaller footprint!

PX7032 Configurations	
Part #	Description
PX7032	Single unit w/expanded metal (standard)
PX7032-CP	Single unit w/Casters + Purlin
PX7032-P	Single unit w/Purlin
PX7032-XT6	6' Extension for Single 6' Unit
PX7032-XT6P	6' Extension for 6' Unit w/ Purlin
PX7032-XT6S	6' Extension for Single 6' Unit + Sign holder



patented

PX7032-CP



PX7032
Base bench model



No tools required for assembly!

SPECIFICATIONS

Construction: Galvanized steel
Capacity: (21) 1020-style flats per 6-foot section
Base Dimensions: 73.25" w x 40.5" d x 44.5" h

*Splitting connected runs may require additional components. Call for more information.

Made with **GATORSHIELD** Stronger Than Your Average Steel Tube

FLAT MATE DISPLAY

PX7025

Conserve your space with the narrow profile of this model (just 26 inches deep), yet still accommodate 15 flats of product! Enjoy our other display features as well, like galvanized steel construction, shared end support for easy run addition and a full array of options to suit your needs.

PX7025 Configurations	
Part #	Description
PX7025	Single unit w/expanded metal (standard)
PX7025-C	Single unit w/Casters
PX7025-P	Single unit w/Purlin
PX7025-S	Single unit w/Sign holder
PX7025-CP	Single unit w/Casters + Purlin
PX7025-CS	Single unit w/Casters + Sign holder

*Splitting connected runs may require additional components. Call for more information.

SPECIFICATIONS

Construction: Galvanized steel
Capacity: ((15) 1020-style flats per 6-foot section
 Optional 39.25" high single basket purlin holds (6) 10-inch hanging baskets
Base Dimensions: 73.25" w x 26.5" d x 44.5" h



No tools required for assembly!



PX7025-CP



Please call **800-852-3443** for additional sizes, configurations, and pricing.

MULTI-TIER DISPLAYS



PX7033 & PX4033

The **new** PX7033 and PX4033 Multi-Tier Displays offer max versatility when it comes to bench placement! Re-arrange your bench tops in up to 7 different bench levels as your seasonal product offerings change. You still get the same galvanized steel durability with the flexibility to organize your bench to fit your needs.



PX7033-C



PX4033-C



No tools required for assembly!

SPECIFICATIONS

Construction: Galvanized steel
Capacity: (21) 1020-style flats per 6-foot section
Base Dimensions: 73.25" w x 28.75" d x 52.75" h



PX7033-C

SPECIFICATIONS

Construction: Galvanized steel
Capacity: (15) 1020-style flats per 4-foot section
Base Dimensions: 49.25" w x 28.75" d x 52.75" h



PX4033-C

PX7030 Configurations

Part #	Description
PX7033	6' Single unit w/expanded metal (standard)
PX7033-12	12' Connected Unit
PX7033-18	18' Connected Unit
PX7033-24	24' Connected Unit
PX7033-C	6' Single Unit w/ Casters
PX7033-XT6	6' Extension for Single 6' Unit

PX7032 Configurations

Part #	Description
PX4033-C	4' Single unit w/expanded metal (standard) + Casters



*Splitting connected runs may require additional components. Call for more information.

Made with **GATORSHIELD**® Stronger Than Your Average Steel Tube



EXPAND YOUR DISPLAYS

Buy the Extension Kit for any Evolutions model to create connected runs of displays.

HALF A-FRAME DISPLAY



PX7040

No tools required for assembly!

Utilize the full potential of a bare wall or fence with this cleverly designed Half A-frame display. You can also place this unit back to back for a quickly assembled center aisle, and our patented shared end support system means your expansion options just go on and on. Great sales, great set-up—a winning combination for your merchandise.

NEW FEATURE!



Double Hanging Basket Purlin

The purlin available for this display is now a double purlin—twice the baskets in the same footprint!



PX7040-P

patented



PX7040-S



Made with **GATORSHIELD** Stronger Than Your Average Steel Tube



evolutions
MODULAR DISPLAY SYSTEM

PX7040 Configurations	
Part #	Description
PX7040	Single unit w/expanded metal (standard)
PX7040-S	Single unit w/expanded metal (standard) + Sign holder
PX7040-P	Single unit w/expanded metal (standard) + Purlin
PX7040-XT6	6' Extension for Single 6' Unit
PX7040-XT6P	6' Extension for 6' Unit w/ Purlin
PX7040-XT6S	6' Extension for Single 6' Unit + Sign holder

*Splitting connected runs may require additional components. Call for more information.

SPECIFICATIONS

Construction: Galvanized steel with expanded metal bench tops
Capacity: (18) 1020-style flats per 6-foot section
 Optional 47.5" high purlin holds (12) 10-inch hanging baskets per 6-foot section
Base Dimensions: 73.25"w x 41.25"d x 44.5"h



Get your shelves to multitask, too!
 Put complementary products at customers fingertips with this easy to hang cross merchandiser. see page 31

Please call **800-852-3443** for additional sizes, configurations, and pricing.

END CAP DISPLAYS

Two (2) EC7001 units with casters shown with one (1) PX7001 with casters



Two (2) EC7020 units shown with one (1) PX7021 double tri-step display



Our new end caps for the Evolutions series are configured to match up with their corresponding display! They still feature expanded metal benchtops, galvanized steel construction for strength and durability and are now also available with optional casters. Use them by themselves in many configurations or with displays to feature and merchandise your product. End caps are also great for sale items or as a focal point from which you can attach signage.

PX7030 Configurations	
Part #	Description
EC7001	End cap for PX7001
EC7006	End cap for PX7006
EC7020	End cap for PX7020
EC7022	End Cap for PX7022
EC7025	End Cap for PX7025
EC7030	End Cap for PX7030
EC7032	End Cap for PX7032
EC7040	End Cap for PX7040



EC7020 as shown with optional casters



Made with **GATORSHIELD**® Stronger Than Your Average Steel Tube

Options

Casters



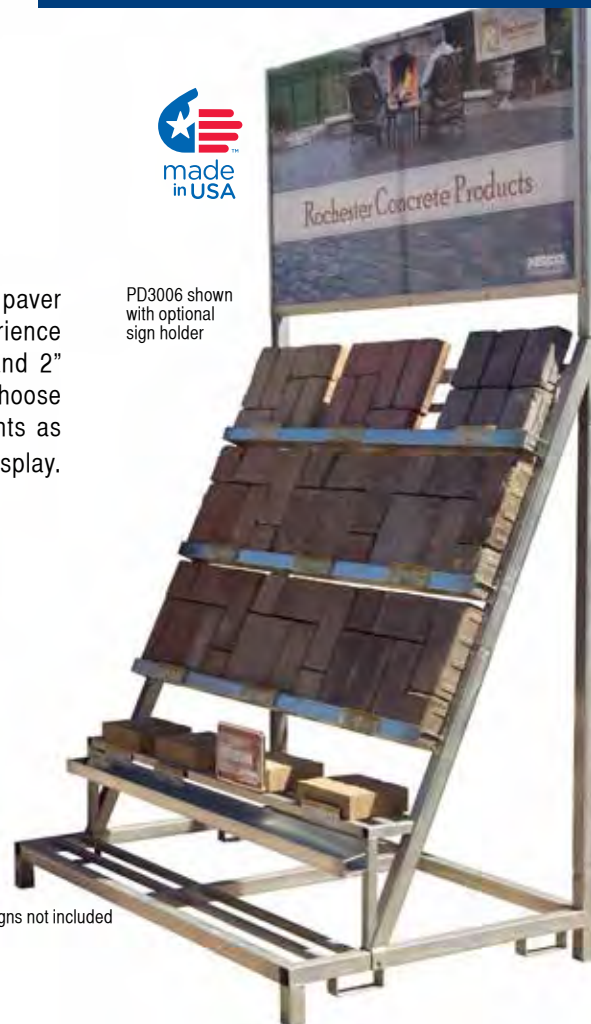
PAVER DISPLAY

PD3006 & PD3050

We're paving the way for increased sales with our attractive landscape paver display unit. Provide your customers with a convenient shopping experience when you purchase this easy-to-browse display. Welded supports and 2" galvanized steel construction ensure this unit can hold a heavy load. Choose our optional sign holder to provide ideas and inspiration to your clients as well as to create timely messaging, adding even more value to your display.



PD3006 shown with optional sign holder



Product and signs not included

PD3006 & PD3050 Paver Displays	
Part #	Size
PD3006	72"w x 43"d x 74"h
PD3006-S	72"w x 43"d x 115"h
PD3050	52½"w x 42⅝"d x 74"h
PD3050-S	52½"w x 42⅝"d x 104"h

SPECIFICATIONS

Construction: Galvanized steel

Base Dimensions: (PD3006) 72"w x 43"d x 74"h

Base Dimensions: (PD3050) 52½"w x 42⅝"d x 74"h

MULCH & ROCK DISPLAY

MD3000

Showcase a variety of mulch, soils, decorative landscape rock, bulbs and other bulk goods in divided bins. The sturdy, galvanized steel frame and bins come standard with a dark grey textured powder coating. Setup is quick and requires no tools. It is perfect for indoor displays, as well as outside. Choose up to five bins and then add dividers to best suit your product mix.

Mulch & Rock Display	
Part#	Description
MD3005	1 Frame w/signholder, 5 Bins, 7 Dividers
MD3000	24"w x 24"d x 72"h Frame Only
MD1012	Compartment Bin
MD1007	Divider



bin plus 1 divider



bin plus 2 dividers



bin plus 3 dividers



MD3005 Display



No tools required for assembly!

SPECIFICATIONS

Construction: Powder coated galvanized steel

Base Dimensions: 24"w x 24"d x 72"h





BASKET WAVE

BW3000

Caution: curves ahead! Enhance your garden center's flow with the new basket wave. This high capacity display provides an elegant way to showcase your hanging baskets in an easy-to-shop wall of color. Start with the 12-foot base unit and easily add 6-foot sections to create an endless sweep of color.

Basket Wave	
Part #	Size
BW3000	150" w x 79" d x 78" h

SPECIFICATIONS

Construction: Galvanized steel
Base Dimensions: 150" w x 79" d x 78" h



Basket Wave Top View



BASKET TOWER

BT3000

This fun way to showcase your hanging baskets and other hanging merchandise, such as wind chimes and bird houses/ feeders, is sure to be on your wish list for spring sales. Think vertical merchandising that can be shopped from any side. Imagine a tower of hanging baskets or a whorl of wind chimes!

Basket Tower	
Part #	Size
BT3000	46" w x 46" d x 90" h

SPECIFICATIONS

Construction: Galvanized steel
Base Dimensions: 46" w x 46" d x 90" h

Made with **GATORSHIELD**® Stronger Than Your Average Steel Tube



BASKET HANGER



No tools required for assembly!



NARROW BASKET HANGER

BH3000

This year-round fixture allows for optimal lighting exposure for your hanging baskets and it also gives you a place to create showy seasonal displays. Spring, summer and fall plants are placed easily within your customer's reach and our optional wreath kit allows for high-capacity holiday merchandising.

BH4000

Respond quickly to inclement weather or move product indoors for safe keeping with our BH4000 Narrow Basket Hanger display. Designed for mobility, this unit comes standard with casters and rolls easily through a 36-inch door frame.

Basket Hanger	
Part #	Description
BH3000	Basket Hanger
BH3000-C	Basket Hanger w/Casters
BH3000-WK	Basket Hanger w/Wreath Kit
BH3000-CWK	Basket Hanger w/Casters & Wreath Kit

Narrow Basket Hanger	
Part #	Description
BH4000	Narrow Basket Hanger
BH4000-WK	Narrow Basket Hanger w/Wreath Kit

SPECIFICATIONS

Construction: Galvanized steel
 Capacity: (24) 10-inch hanging baskets
 Optional wreath kit holds (78) 24-inch wreaths
 Base Dimensions: 72"w x 73"d x 82"h (Add 6" height for casters)

SPECIFICATIONS

Construction: Galvanized steel,
 4 swivel-locking casters
 Capacity: (47) 10-inch hanging baskets
 Dimensions: 76"w x 34"d x 78"h

OPTIONS

Casters	Wreath Kit
 Set of 4 swivel-locking casters	



OPTIONS

Wreath Kit


CIRCULAR DISPLAYS

BD3000

The unique barrel-shaped supports on the new BD3000 are not only attractive, but also functional since they allow for unobstructed shelf space. The adjustable center bench is an added benefit that adds even more merchandising flexibility. Display smaller floral and giftware items with ease on the sturdy, flattened expanded metal surfaces. Standard swivel-locking casters make easy work to move this display around your store.

Circular Display	
Part #	Size
BD3000	32" w x 32" d x 54 3/4" h



SPECIFICATIONS

Construction: Galvanized steel

Base Dimensions: 32" w x 32" d x 54 3/4" h
(adjustable center bench: 16 1/2" to 22 1/2" from base)

CD3000 & CD4000

What's your best side? Why choose? Showcase your merchandise beautifully from every angle with our circle bench displays. Flattened expanded metal surfaces prevent tips and ensure that smaller items won't slip through the cracks. Swivel-locking casters ensure easy mobility for optimal merchandising flexibility.



CD4000-S

3-Level Circular Display	
Part #	Size
CD3000	32" w x 32" d x 54" h
CD3000-S	32" w x 32" d x 80" h

4-Level Circular Display	
Part #	Size
CD4000	32" w x 32" d x 55 3/8" h
CD4000-S	32" w x 32" d x 80" h

SPECIFICATIONS

Construction: Galvanized steel and expanded metal bench tops.

OPTIONS

Sign Holders

3-sided sign holder



CD3000-S



65 sq. ft.
of total
surface area!

35, 355 & 357 DISPLAY



CD3500, CD3550, CD3570

These circular island displays are a paradise for large merchandise. Oversized pots, baskets, garden décor and accessories will fit—and shine! The CD3570 has a 7' diameter base, 5' middle tier and 3' top, which gives you 65 square feet of merchandising opportunity in one display.

Expanded metal surfaces and heavy-duty steel construction also provide the strength to support oversized products. New this season are slightly smaller versions—the CD3550 and the CD3500 and all are available with casters.

35, 355, 357 Display		
Part #	Description	Size
CD3570	357 Circular Island Display	84" w x 84" d x 56¼" h
CD3570-C	357 Circular Island Display w/Casters	84" w x 84" d x 62¼" h
CD3550	355 Circular Island Display	60" w x 60" d x 61" h
CD3550-C	355 Circular Island Display w/Casters	60" w x 60" d x 67" h
CD3500	35 Circular Island Display	60" w x 60" d x 38" h
CD3500-C	35 Circular Island Display w/Casters	60" w x 60" d x 44" h

SPECIFICATIONS

Construction: Galvanized steel and expanded metal bench tops.



CD3570-C



CD3550-C



CD3500-C

The CD3570 offers 65 total square feet of surface area to merchandise

Please call **800-852-3443** for additional sizes, configurations, and pricing.

PALLET BRIDGE

PB3000

Our new pallet bridge display provides an elegant solution to cross-merchandise products that are complementary to your palletized goods. Graphic panels (not included) simply slide into the side supports while mounting holes on the tray face easily accept most types of rigid signage panels. The galvanized steel frame fits over most standard pallets and the upper tray features flattened expanded metal to hold large and small products.



PB3000 with sign panels



PB3000 without sign panels

Pallet Bridge	
Part #	Size
PB3000	48" w x 21½" d x 48" h

SPECIFICATIONS

Construction: Galvanized steel

Dimensions: 48" w x 21½" d x 48" h

Signage: Up to 6 mm thick – Call for pricing

PALLET SIGN HOLDERS

Our new pallet sign stands are perfect for pallets of your taller merchandise. Park your pallet on the large base plate and rest assured it won't tip over in the wind. 2-sided industry standard 11" x 7" sign holders provide great visibility for your customers.



SPECIFICATIONS

Construction: Galvanized steel

Dimensions: GCS250 – 66" clearance w/ 11" x 7" 2-sided sign holder

GCS251 – 36" clearance w/ 11" x 7" 2-sided sign holder

GCS252 – 67" clearance w/ 11" x 7" 2-sided sign holder

GCS253 – 12" clearance w/ 11" x 7" 1-sided sign holder

Pallet Signs	
Part #	Description
GCS250	66" clearance curved post
GCS251	36" clearance straight post
GCS252	67" clearance straight post
GCS503	12" clearance straight post



GCS503

GARDEN CENTER SIGN HOLDERS

Our durable, galvanized steel sign holders will accommodate standard industry sign sizes and come in a wide array of attachment options, including stands, table tops, clips, and more.



Cross Merchandiser

Put fertilizer, plant food and complementary products at customer's fingertips with this easy to hang cross merchandiser.

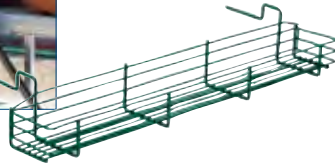
WB1000

Track Sign Holder

This 72" sign holder can be mounted to just about any display or bedding plant table and accepts most 7" x 5" and 11" x 7" signage.

72" x 7" Track Sign Holder (FB3028)

72" x 5" Track Sign Holder (FB3029)

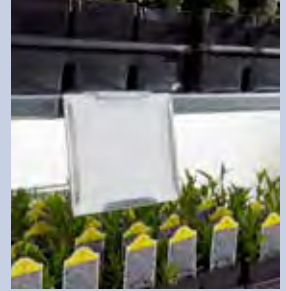


EZ Sign Holder

Quickly attaches to any of our bench tops.

7" x 5" card size box of 25 (GCS2000)

11" x 7" card size box of 25 (GCS2050)



EZ Track Sign Holder

70" x 4" Sign Holder (FB3047)

46" x 4" Sign Holder (FB3046)



12" Sign Holder with base

7" x 5" card size box of 25 (GCS1010)

11" x 7" card size box of 25 (GCS1050)



Sign Holder Base

For 18" & 30" signs box of 25 (GCS1310)

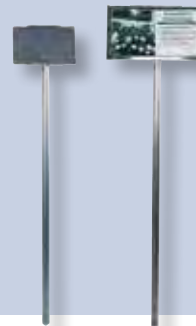


18" Sign Holder without base

5" x 4" card size box of 25 (GCS1170)

7" x 5" card size box of 25 (GCS1180)

11" x 7" card size box of 25 (GCS1190)



30" Sign Holder without base

7" x 5" card size box of 25 (GCS1210)

11" x 7" card size box of 25 (GCS1260)



Clip Sign

7" x 5" card size box of 25 (GCS3030)

11" x 7" card size box of 25 (GCS3020)



Double-Face Sign Holder

11" x 7" card size box of 25 (GCS1300)



Table Top Sign Holder

7" x 5" card size box of 25 (GCS1110)

11" x 7" card size box of 25 (GCS1160)



White Vinyl Sign Cards

5" x 4" pack of 25 (GCS137)

7" x 5" pack of 25 (GCS136)

11" x 7" pack of 25 (GCS141)

China Markers

Black, pack of 12 (GCS146)

Please call **800-852-3443** for additional sizes, configurations, and pricing.

BENCH TOPS

For use with Poly-Tex displays and greenhouses

Standard & Expanded Metal Bench Tops

Our galvanized steel bench tops give a sleek presentation to any structure and they are definitely built to last. Purchase individually in standard sizes or purchase a higher quantity for custom size options.



Standard roll-form bench top

Expanded metal bench top

Part #	Description
RF2545	12" x 6' roll-form bench top
RF2554	18" x 6' roll-form bench top
RF2555	23" x 6' roll-form bench top
RF2552	36" x 6' roll-form bench top
FK1004	12" x 6' expanded metal bench top
FK1000	18" x 6' expanded metal bench top
FK1003	23" x 6' expanded metal bench top
FK1002	36" x 6' expanded metal bench top

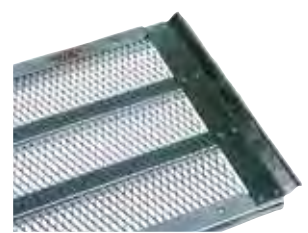
Expanded Metal Retrofit Kit

Transform your standard 6' roll-form bench top into a display surface suited for smaller plants, gift items, or gardening products. Kit includes expanded metal cut to size, two trim strips and six self-drilling screws.

From this...



to this in just minutes!



Part #	Description
FK4000	12" x 6' expanded metal kit
FK4004	18" x 6' expanded metal kit
FK4008	23" x 6' expanded metal kit
FK4012	36" x 6' expanded metal kit

STAND-ALONE BENCH TOPS

For creating your own displays

Great for overflow stock or as a temporary shelving solution! These sturdy, expanded metal bench tops come in either 20" or 40" deep by 72" or 94" wide sizes for a multitude of uses. Mix and match to create different looks and tiered merchandising. Galvanized steel for years of use!



Stand-Alone Bench Tops 20"	
Part #	Description
BD1004	Galvanized Bench Top 20" x 72"
BD1005	Galvanized Bench Top 20" x 94"

Stand-Alone Bench Tops 40"	
Part #	Description
BD1007	Galvanized Bench Top 40" x 72"
BD1006	Galvanized Bench Top 40" x 94"

PLASTIC TOP BENCH

Grow and display on our new galvanized steel bench with plastic grid top! Perfect for watering and easy to clean, the plastic grid top lets water and debris through. The heavy-duty galvanized steel frame resists rust while giving excellent support for your trays, flats, or potted plants.



BD3042



BD3126



Configurations	
Part #	Size*
BD3042	4'L x 2'W x 32.5"H
BD3044	4'L x 4'W x 32.5"H
BD3082	8'L x 2'W x 32.5"H
BD3083	8'L x 3'W x 32.5"H
BD3084	8'L x 4'W x 32.5"H
BD3085	8'L x 5'W x 32.5"H
BD3086	8'L x 6'W x 32.5"H
BD3123	12'L x 3'W x 32.5"H
BD3124	12'L x 4'W x 32.5"H
BD3125	12'L x 5'W x 32.5"H
BD3126	12'L x 6'W x 32.5"H



BD3044

SPECIFICATIONS

Construction: Galvanized Steel Frame and Dura-Bench Ultra Plastic Greenhouse Bench Top

*Nominal sizes. Please check website for exact measurements.

Just need Bench Tops?
Stand alone expanded metal bench tops available in several standard sizes.
see page 32





W-TRUSS

It's hard to improve on our most popular shade structure, but we've done it again. The W-Truss now comes with the original flat roof option and a new peaked roof style!

Shade structures are one of the most economical ways to keep customers and products out of the blazing sun. Mix and match flat roof sides with a peaked canopy entryway for maximum customer comfort and visual appeal to the front or side entrance to your brick and mortar store. Freestanding 20' wide canopy sections can be connected for multiple peaks or linked together in a row to cover larger spaces. Call a customer representative today to find a configuration that matches your needs!



W-Truss Standard Packages Include:

3" x 3" Sq. 12 ga. vertical posts with 7" x 7" base plates in 20' x 20' blocks, expansion anchor bolts, 20' galvanized truss members, knitted shade cloth with taped edges and grommets, 10" canopy ball bungee every 18", fittings, hardware, and assembly instructions

SPECIFICATIONS

Standard W-Truss

Width/Lengths: 20' x 20' blocks standard, custom trusses available

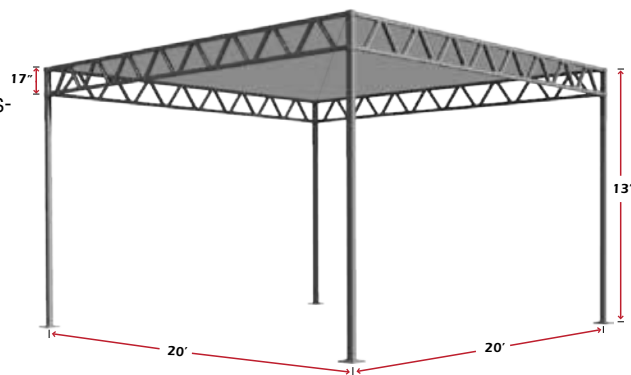
Anchors: Concrete expansion anchors 1/2" x 4.5"

Vertical posts: 3" x 3" x 13', 12', 11' or 10' galvanized steel with welded base plates

Shade Support: (1) Diagonal cable system per 20' x 20' block

Truss: 2" x 2" square top and bottom chords, galvanized webbing

Cover: 30–90% shade cloth



Call Now for Information and Pricing

Our sales team is available Monday-Friday from 8:00am until 4:30pm CST.



SPECIFICATIONS

Peaked W-Truss

Width/Lengths: 20' x 20' blocks

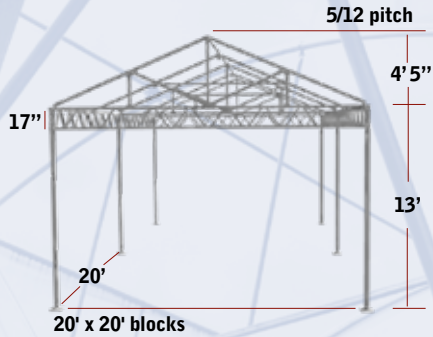
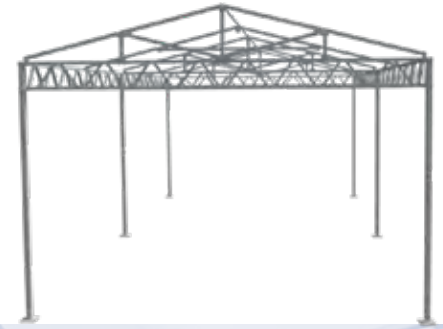
Cover: 30–90% shade cloth

Vertical posts: 3" x 3" x 13', 12', 11', or 10' galvanized steel with welded base plates

Roof Pitch: 5/12 roof pitch

Anchors: Concrete expansion anchors

Truss: 2" x 2" square top and bottom chords, galvanized webbing



Peaked W-Truss Standard Packages Include:

3" x 3" Sq. 12 ga. vertical posts with 7" x 7" base plates in 20' x 20' blocks, expansion anchor bolts, 20' galvanized truss members (5/12 roof pitch), knitted shade cloth with taped edges and grommets, 10" canopy ball bungee every 18", fittings, hardware, and assembly instructions

Made with **GATORSHIELD**® Stronger Than Your Average Steel Tube





SUNSTOPPER

Retailers and growers alike will benefit from the sun and wind protection provided by the Sunstopper. It's a wonderful example of how strength and convenience come together to provide you with added value. By utilizing 2½" O.D. 12 gauge galvanized steel (when others use just 1.66"), and by attaching shade panels with 10" bungee balls, you are assured of both stability and quick assembly. While standard sizes offer an economical option, we're happy to help you customize the Sunstopper for your individual layout needs.

SPECIFICATIONS

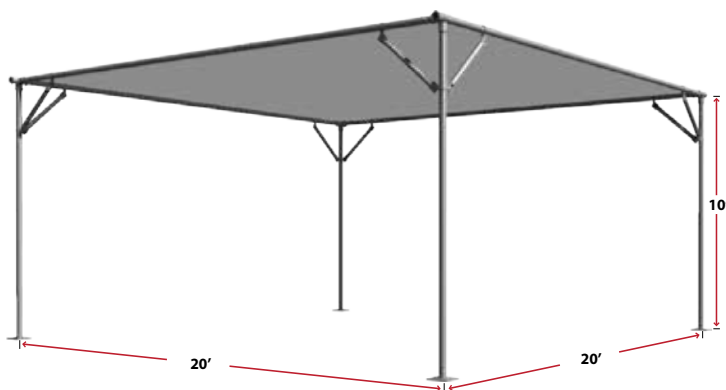
Width/Lengths: 20' x 20' blocks (custom sizes available)

Anchors: ground stands or optional base plates with concrete anchor bolts

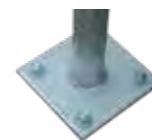
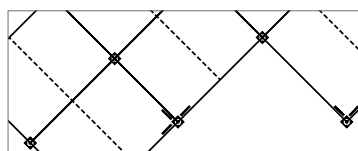
Vertical posts: 2½" O.D. 12 ga. x 10' galvanized steel

Horizontal supports: 2½" O.D. 12 ga. x 20' galvanized steel

Cover: 30–90% shade cloth



OPTIONS



Layout Assistance: We can design a shade structure that accommodates your specific location needs

Base Plate with Concrete Anchor Bolts: Firmly secure your structure

51% LARGER TUBING!

The Sunstopper is built to last with tough 2½" O.D. 12 gauge galvanized steel tubing. That's 51% LARGER than what most manufacturers use. Get a better product for your investment with the Sunstopper.



Sunstopper uses larger diameter tubing.

Others use smaller diameter tubing.

Sunstopper Standard Packages Include:

2½" O.D. 12 ga. x 10' vertical posts with base plates in 20' x 20' blocks, 2½" O.D. 12 ga. x 20' galvanized horizontal members, 60% black knitted shade cloth with taped edges and grommets, 10" canopy ball bungee every 18", diagonal cable shade panel support (1) per 20' x 20' block, fittings, hardware, and assembly instructions.

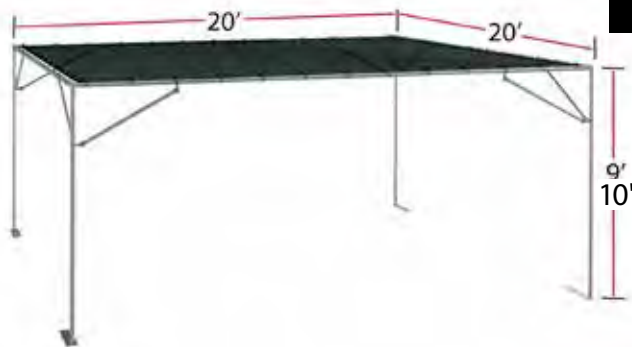




SUN SHADOW

Keep it cool for less with our Sun Shadow shade structure. This economical solution offers you easy assembly and modular design without sacrificing our durable galvanized steel construction. The extended base plate allows for the use of pallet products as your anchoring system and helps you avoid parking lot damage. With the Sun Shadow, you'll protect your products and improve your customer's experience easily and economically. Sometimes less really is more!

Made with **GATORSHIELD**® Stronger Than Your Average Steel Tube



SPECIFICATIONS

Width/Lengths: 20' x 20' blocks (custom sizes available)

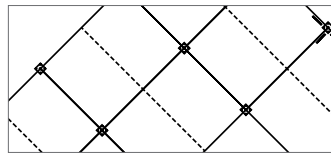
Frame: 2" O.D. 14 ga. galvanized steel tubing

Cover: 30–90% black shade cloth (standard package)

Anchoring: Base plates, extended ballast base plates, or ground stands



OPTIONS



Layout Assistance: We can design a shade structure that accommodates your specific location needs



Sun Shadow Standard Packages Include:

2" O.D. 14 ga. x 10' vertical posts with extended ballast base plates, 2" O.D. 14 ga. x 20' galvanized horizontal members in 20' x 20' blocks, diagonal corner structural bracing, 60% black knitted shade cloth with taped edges and grommets, 10" canopy ball bungee every 18", diagonal cable system shade support (1) per 20' x 20' block, fittings, hardware, and assembly instructions.



Extended Base Plate
For ballast anchoring



Base Plate with Concrete Anchor Bolts:
For concrete anchoring

Call Now for Information and Pricing

Our sales team is available Monday-Friday from 8:00am until 4:30pm CST.

800-852-3443

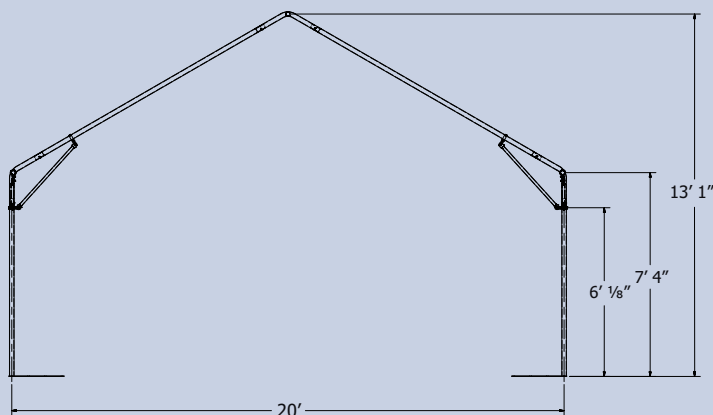




VERTEX SHADE SYSTEM

The first structure in our Vertex line, this simple, stylish shade house lets you make a statement and show your colors. The easy snap button frame and bungee shade attachments will have you in the shade in no time. With just over 7' of sidewall clearance and 13' to the peak, the Vertex will give you shade while keeping that open air feeling.

Made with **GATORSHIELD**® Stronger Than Your Average Steel Tube



SPECIFICATIONS

- Width:** 20'
- Length:** Starting at 10' with increments of 10'
- Sidewall Height:** 7' 4"
- Height to Apex:** 13' 1"
- Frame:** 2" O.D. 14ga. galvanized steel tube
- Cover:** Knitted shade cloth with taped edges and grommets*
- Anchoring:** Extended base plates

*Different colors and percentages of shade cloth available
Call for Pricing



Support view



Peak view



Optional front Gable panel

Vertex Shade Standard Packages Include:

2" O.D.. 14ga. galvanized snap button frames on 10' centers, diagonal struts in corners, 2" O.D. 14ga. galvanized ridge purlin, knitted shade cloth with taped edges and grommets, 10" canopy ball bungee every 18", extended base plates, spikes, assembly hardware and setup manual.

Optional Gable End Package includes:

Galvanized horizontal support, 1 gable peak shade, attachment hardware.

Vertex Shade	
Part #	Description
VX2010-B60	20 x 10 Blue 60%
VX2010-G60	20 x 10 Green 60%
VX2010-K60	20 x 10 Black 60%

VX2020-B60	20 x 20 Blue 60%
VX2020-G60	20 x 20 Green 60%
VX2020-K60	20 x 20 Black 60%

VX2030-B60	20 x 30 Blue 60%
VX2030-G60	20 x 30 Green 60%
VX2030-K60	20 x 30 Black 60%

VX2040-B60	20 x 40 Blue 60%
VX2040-G60	20 x 40 Green 60%
VX2040-K60	20 x 40 Black 60%

Call for Additional Sizes, Colors, and Pricing Information.

SHADE CLOTH

One order of shade, just the way you like it. At Poly-Tex, we are happy to work with you to get your shade cloth in the size you need it, and we can finish the edges for you to save time, or let you do that yourself to save money. Work with one of our staff to get the right color and size for your space.

Knitted shade cloth per sq. ft. (includes seaming)		Knitted shade cloth per sq. ft. (includes edge taping and grommets every 18")	
Description	Part #	Description	Part #
30% black	SH1004	30% black	SH5030
40% black	SH1007	40% black	SH5040
50% black	SH1003	50% black	SH5050
60% black	SH1000	60% black	SH5060
70% black	SH1002	70% black	SH5070
80% black	SH1010	80% black	SH5080
90% black	SH1006	90% black	SH5090
40% white	SH1005	40% white	SH5040W
50% white	SH1001	50% white	SH5050W
60% green	PL1199	60% green	SH5060G
30% Aluminet	SH1008	30% Aluminet	SH5030-AL
40% Aluminet	SH1014	40% Aluminet	SH5040-AL
50% Aluminet	SH1026	50% Aluminet	SH5050-AL
60% Aluminet	PL1195	60% Aluminet	SH5060-AL
70% Aluminet	SH1017	70% Aluminet	SH5070-AL
60% violet	SH1020	60% violet	SH5045V
50% red	SH1030	50% red	SH5050R
60% blue	SH1018	60% blue	SH5060B
70% decorative brown (tan)	SH1015	70% decorative brown (tan)	SH5075T
#4 Brass Grommet	NB1920	Small order fee on each shade cloth panel under 400 sq. ft. Non-standard sizes are non-refundable. FOB Castle Rock, MN or Janesville, WI	

Please call 800-852-3443 for assistance with your order!

Shark Bite

Once your cloth gets bitten by the shark, it won't get free. The Shark Bite will grab onto almost any fabric, netting, film, or substrate. Vicious little devils—but in a good way.

Shark Bite PT2300



10" Bungee Ball

For finished edge shade cloth the bungee ball offers the simplest and least expensive way of attachment.

10" Bungee Ball PT2521



Shade Structures

Several styles and sizes for the perfect fit!



Variety of Shade Cloth

Choose colors and shade percentages to suit your individual needs.



Easy Bungee Attachment

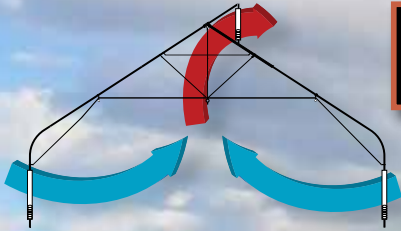
Quickly attach or remove shade cloth from your structures.



Taped Edges & Grommets

Heavy-duty taped edges and brass grommets save you installation time so you can get covered, quick.

NEW & IMPROVED DESIGN!



XA-24

Made with **GATORSHIELD®** Stronger Than Your Average Steel Tube

Good news! We've expanded and refined our line of XA Greenhouses. Two different widths (24', and 30'), stronger frames, taller side walls and more clearance under the peaks! The XA-24 is the new kid on the block but still boasts maximum natural ventilation, and an abundance of options to fit your needs and budget.

FEATURES

Optimal Ventilation: The thermostatically controlled Poly-Vent® ridge and side wall ventilation system provides maximum circulation

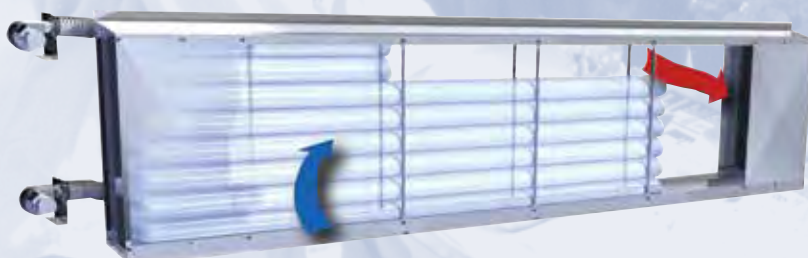
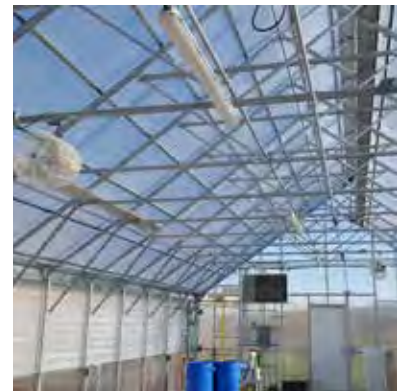
Connection Options: Assemble as a freestanding structure or gutter-connect to other XA-24s

Finishing Options: Purchase the frame only or select a complete package, which includes everything required for turn-key operations

Covering: Long-lasting polycarbonate structured sheeting

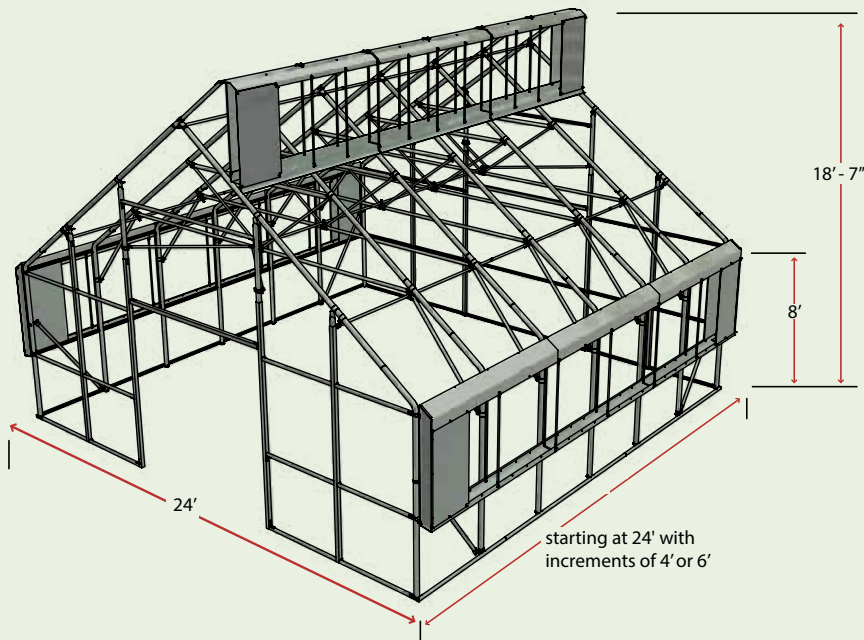
Custom Configuration: Work with our experienced sales team to assemble the appropriate heating, cooling, doors, and environmental systems for your needs

Galvanized Steel Frame: Constructed of 2.5" O.D. 12 gauge galvanized steel, this durable structure holds up to years of extreme elements



Poly-Vent®

Ridge and sidewall vents run the entire length of this structure, promoting natural air flow and reducing expensive electrical bills.



SPECIFICATIONS

- Width:** 24'
- Length:** starting at 24' with increments of 4'
- Sidewall Height:** 8'
- Height to Apex:** 18'- 7"
- Frame Spacing:** 4' or 6'
- Truss Height:** Approximately 10'- 2"
- Truss System:** 5-part truss made of 1" and 1.66" galvanized tube
- Frame:** 2.5" O.D. 12 ga. galvanized steel tube
- Purlin:** (3) runs of 1.315" O.D. 17 ga. galvanized steel tube



OPTIONS



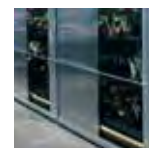
Choice of Polycarbonate Structured Sheeting: Work with sales staff to select the appropriate sheeting for your needs



Door Selection: Sliding or swinging doors available in single or double widths; starting size is 3' x 6'- 8" but several sizes are available



Bench Systems: Choose from a wide range of retail or stationary growing benches



Ventilation Options: Poly-Vent side vents, Slide-Side Ventilation, HAF fans, and Roll-up side curtains. **See pages 50 - 52.**



Call Now for Information and Pricing

Our sales team is available Monday-Friday from 8:00am until 4:30pm CST.

800-852-3443



EXPANSION MANSION

When you're a new grower, you've got to start somewhere, and our economical Expansion Mansion makes that easy to do! If you're an established grower you'll enjoy the simplicity of upgrading and expanding as your needs evolve with this highly versatile structure.

The Expansion Mansion provides you with loads of feature selections—like poly film or polycarbonate sheeting and a wide range of environmental systems. So whether you're new or established, you'll certainly benefit from a structure that gets you started and keeps you going for years.

FEATURES

Economical Advantage: One of the most economical growing structures for its class, this structure delivers quality and affordability

Optimal Ventilation: The thermostatically controlled side wall ventilation system provides maximum circulation

Connection Options: Assemble as a freestanding structure, or gutter-connect to other Expansion Mansions

Finishing Options: Purchase the frame only or select a complete package, which includes everything required for turn-key operations

Choice of Covering: Choose from double polyethylene film or polycarbonate structured sheeting

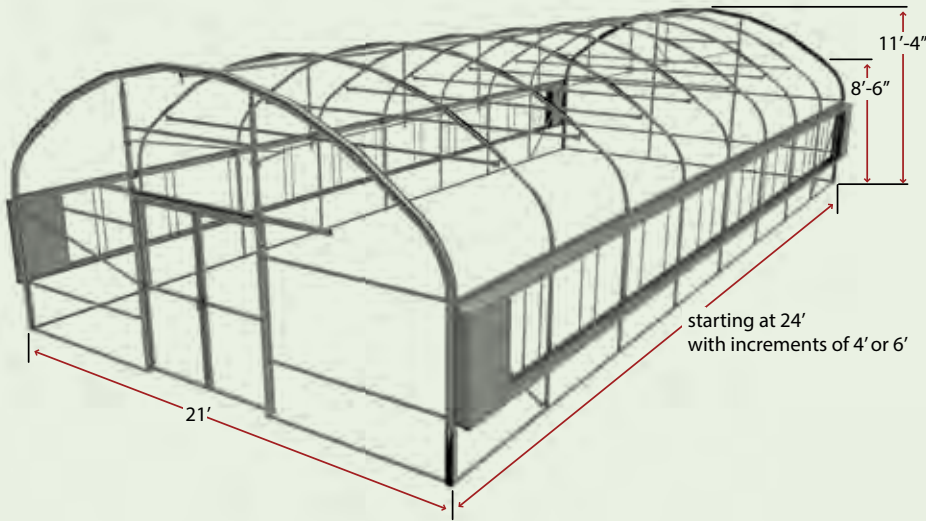
Custom Configuration: Work with our experienced sales team to assemble the appropriate heating, cooling, doors, and environmental systems for your needs

Galvanized Steel Frame: Constructed of 2" O.D. 14 gauge galvanized steel, this durable structure holds up to years of extreme elements



Poly-Vent®

Sidewall vents run the entire length of this structure, promoting natural air flow and reducing expensive electrical bills.



SPECIFICATIONS

- Width:** 21'
- Length:** Starting at 24' with increments of 4' or 6'
- Sidewall Height:** 6', 7' or 8'
- Height to Apex:** 11'- 4"
- Frame Spacing:** 4' or 6'
- Truss Height:** Approximately 8'- 6"
- Truss System:** 3-part truss made of 1" and 1.66" galvanized tube
- Frame:** 2" O.D. 14 ga. galvanized steel tube
- Purlin:** (1) runs of 1.315" O.D. 17 ga. galvanized steel tube



OPTIONS



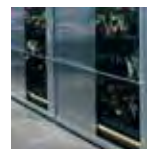
Choice of Polycarbonate Structured Sheeting: Work with sales staff to select the appropriate sheeting for your needs



Door Selection: Sliding or swinging doors available in single or double widths; starting size is 3' x 6'- 8" but custom sizes are available



Bench Systems: Choose from a wide range of retail or stationary growing benches



Ventilation Options: Poly-Vent side vents, Slide-Side Ventilation, HAF fans, and Roll-up side curtains. **See pages 50 - 52.**

Call Now for Information and Pricing

Our sales team is available Monday-Friday from 8:00am until 4:30pm CST.

800-852-3443





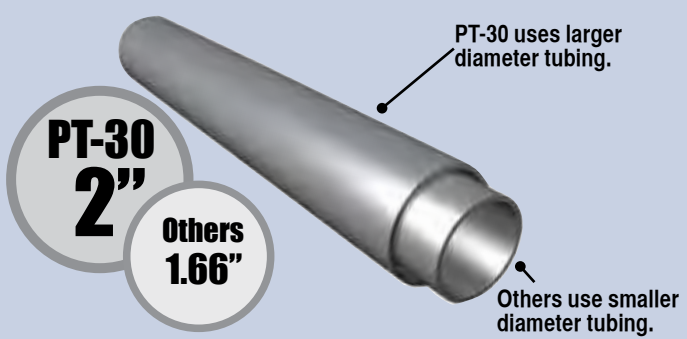
PT-30

Made with **GATORSHIELD**® Stronger Than Your Average Steel Tube

Purchasing a growing structure is a big investment. That's why it's nice when you can utilize your asset in multiple ways. Our PT-30 is a great cold frame, but it's also heavy-duty enough to be used as a year-round growing structure—that's twice as nice. But why stop there? For an added cost you can request a 2' side extension and turn your PT-30 into a high tunnel. It's once, twice, three times the structure with the PT-30.



OUR STRUCTURES ARE JUST STRONGER



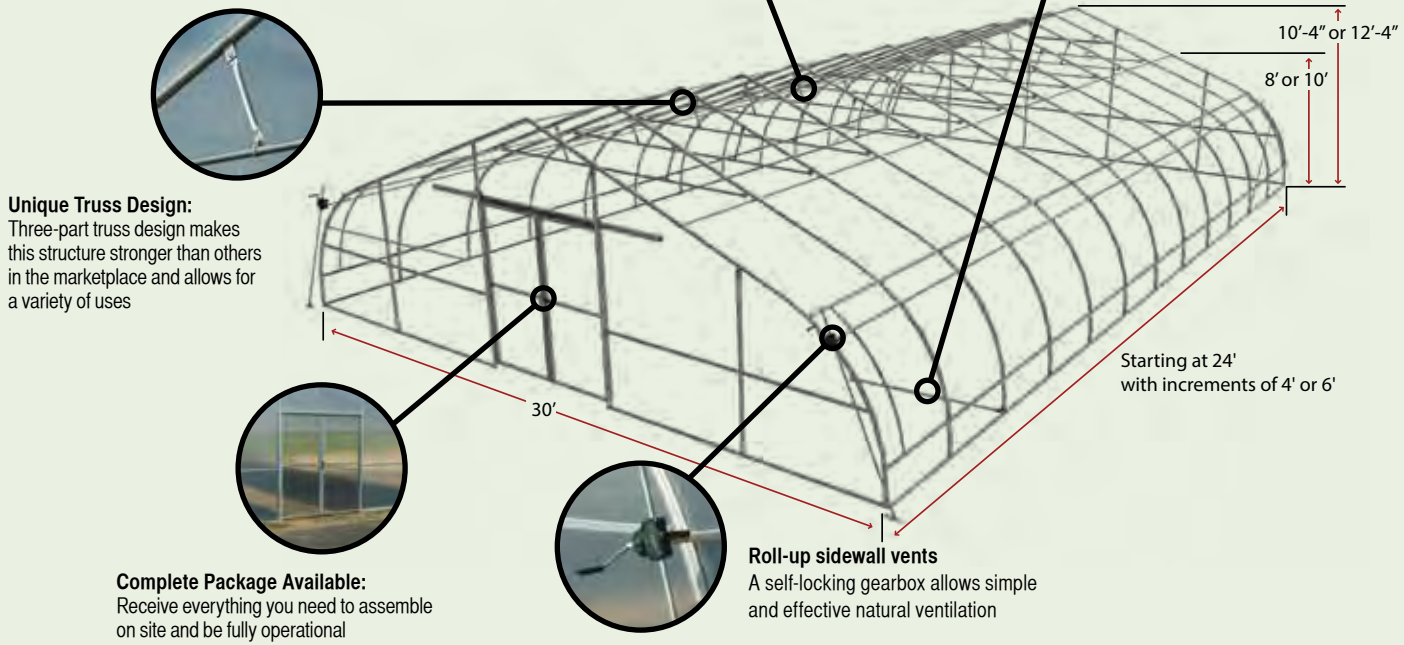
Our PT-30 is manufactured with 2" O.D. 14 gauge tubing. That's 20% LARGER than other manufacturers, for greater durability and support where you need it most—the frame. Get a better product for your investment.



SPECIFICATIONS

- Width:** 30'
- Length:** Starting at 24' with increments of 4' or 6'
- Sidewall Height:** 24" sidewall extension (optional)
- Frame Spacing:** 4' or 6'
- Peak Height:** 10'- 4"
- Truss Height:** Approx. 8'
- Frame:** 2" O.D. 14 ga. galvanized steel
- Purlins:** (2) runs of 1.163" O.D. 17 ga. and (1) run of 18 ga. roll form

HIGH TUNNELS



Frame Only Price Includes: Five-piece bows, diagonal wind braces, ground stakes, assembly hardware, (3) purlin runs and set up manual (End frame verticals are not included)

Standard Package Price Includes: Five-piece bows, diagonal wind braces, ground stakes, assembly hardware, (3) purlin runs and set up manual, three-part truss on every intermediate frame section, roll-form end frame (packages), roll-form side rails, (2) full-length manual roll-up sidewall vents, Wiggle Wire™ poly fastening system, single layer clear poly roof and ends, double swinging end doors (one end)

Call Now for Information and Pricing

Our sales team is available Monday-Friday from 8:00am until 4:30pm CST.

800-852-3443



OPTIONS



Ventilation: Our 12" HAF fans reduce condensation and improve circulation for improved plant health; **see page 52**



Increased Strength: Truss Kit bolts on to frame-only PT-30 intermediate frame sections for increased durability



End Door Options: Choose from 6' x 6'- 8" double swinging, or sliding door packages, or opt for 3' x 6'- 8" single swinging door package



End Frame Finishing: Heavy-duty, galvanized steel and ready for poly.
No door opening
6' door opening
3' door opening
 (door not included)



Side Wall Vents Available: Roll-up sidewall vents with self-locking gear box, ensure natural, simple, and effective ventilation



KOOL HOUSE™

Just because something is inexpensive doesn't mean it has to be cheap. Our focus at Poly-Tex is to make things as economical as possible without sacrificing quality, and the Kool House is a perfect example: it includes diagonal wind braces, heavy-duty construction and all the materials you'll need to complete the structure. No more running to the store for extra wood and parts. Deliver, assemble, enjoy—Kool!

FEATURES

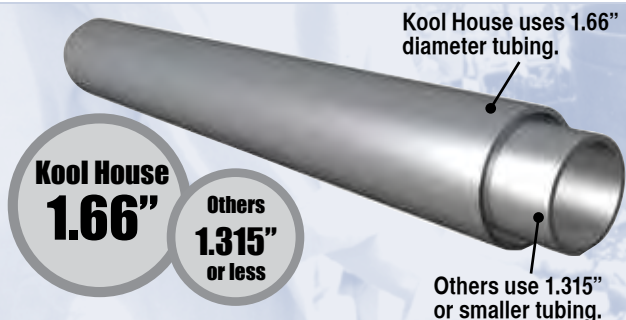
Economical Advantage: The Kool House is built for growth; its modular design makes it easy and affordable to add additional hoops whenever necessary

Finishing Options: Purchase the frame only or select a complete package, which can be custom configured to your specifications

Superior Strength: Heavy-duty construction ensures years of reliability; structure includes sturdy 1.66" O.D. 16 gauge bows and full-length purlins for added durability

Hold Down System: Properly place your structure; ground stakes and driver are included with frame only or complete package orders

Diagonal Wind Braces: Additional support helps this structure maintain its integrity in high wind conditions



Our Kool House is manufactured with 1.66" O.D. 16 gauge tubing. That's 26% LARGER than other manufacturers, for greater durability and support where you need it most—the frame. Get a better product for your investment.

OUR STRUCTURES ARE JUST STRONGER

Made with **GATORSHIELD®** Stronger Than Your Average Steel Tube

SPECIFICATIONS

Width: 14', 16', 18', 20'

Length: starting at 16' with increments of 4' or 6'

Height to Apex: half of the width

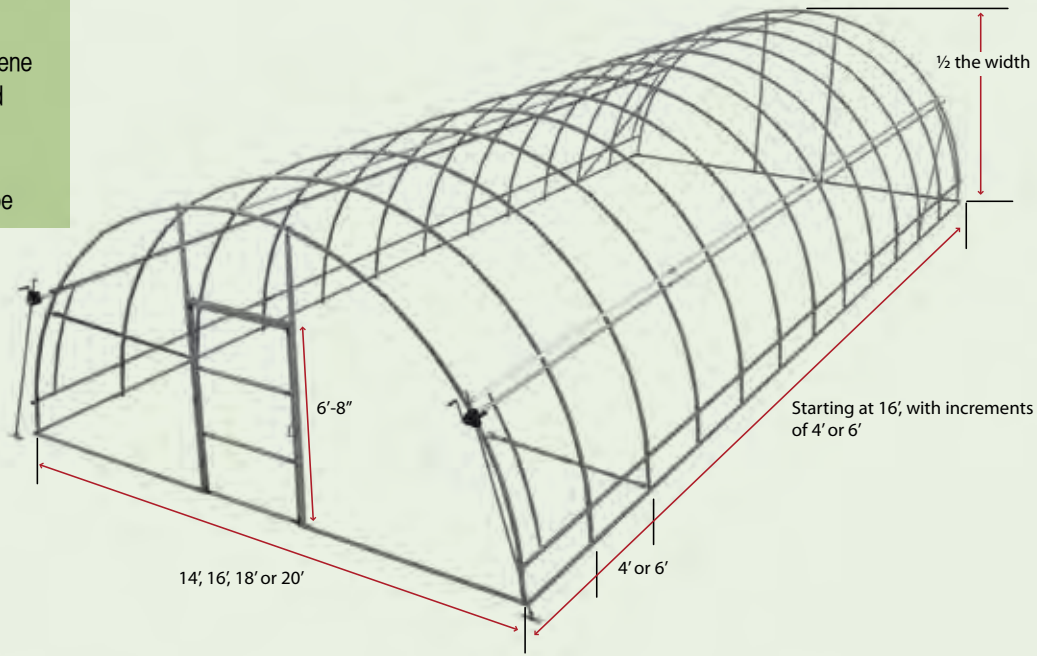
Frame Spacing: 4' or 6'

Cover: clear or white 6 mil. UVI treated polyethylene

End Wall Cover: clear or white 6 mil. UVI treated polyethylene

Frame: 1.66" O.D. 16 ga. galvanized steel tube

Purlin: (1) 1.163" O.D. 17 ga. galvanized steel tube



Available with Roll-Up Sides

Frame-only price includes: Three-piece bows, diagonal wind braces, ground stakes, ground stake driver, assembly hardware, (1) center purlin run and set up manual. (End frame verticals are not included.)

Standard package price includes: Everything in frame-only price and: Roll-form end frame (packages), roll-form side rails, (2) full-length manual roll-up sidewall vents, Wiggle Wire® poly fastening system, single layer clear poly roof and ends, swinging end door (one end)



OPTIONS



End Frame Options: Galvanized steel end frame comes ready for plastic; choose with or without door; door sizes include: 14' (with 3' x 6'-8" door frame) or 16', 18', & 20' (with 4' x 6'-8" door frame)



Side Wall Vents Available: Roll-up sidewall vents with self-locking gear box, ensure natural, simple, and effective ventilation



Roof Inflation Kit: Inflate your optional double layer poly for added insulation and improved life span



Ventilation: Our 12" HAF fans reduce condensation and improve circulation for better plant health; **see page 52**



Roof Coverage: Contact your salesperson for selection information



Shade Cloth: Give your plants needed relief from the sun, **see page 39** for options



Call Now for Information and Pricing

Our sales team is available Monday-Friday from 8:00 am until 4:30 pm CST.

800-852-3443



NOW WITH 6' SIDEWALLS!

FIELDPRO® GOTHIC

Mean, clean and green, that's our motto for the FieldPro high tunnel, whose durable design and multiple width selections let you extend your season in a way that's right for you. Without all of the add-ons or ventilation systems, this structure is straightforward and low-energy. The heavy-duty galvanized frame ensures years of durability and assembles quickly so small farmers, local cultivators, and specialty growers can get growing and keep growing for as long as they need to. Choose from our Frame Only or Standard packages.

Made with **GATORSHIELD®** Stronger Than Your Average Steel Tube



GOTHIC STYLE HIGH TUNNEL



GABLE STYLE HIGH TUNNEL



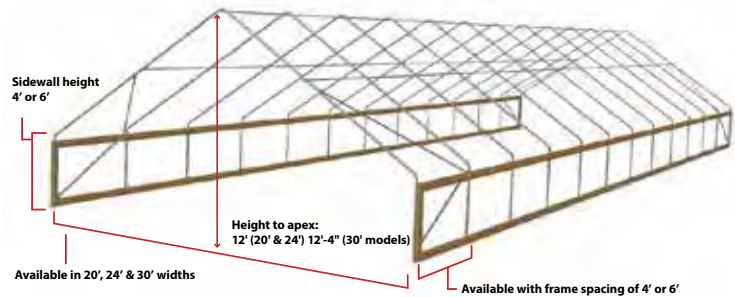
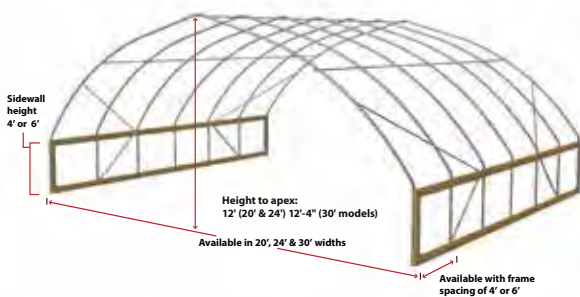
Call Now for Information and Pricing

Our expert sales team is on hand to assure the quality and effectiveness of your High Tunnel purchase. Our sales team is available Monday-Friday from 8:00am until 4:30pm CST.





FIELDPRO® GABLE



SPECIFICATIONS

- Width:** 20', 24' & 30'
- Length:** Starting at 16' with increments of 4' or 6'
- Sidewall Height:** 4' or 6'
- Height to Apex:** 12' (20' & 24') 12'-4" (30' models)
- Frame Spacing:** 4' or 6'
- Cover:** Clear or white 6 mil. UVI treated polyethylene
- End Wall Cover:** Clear or white 6 mil. UVI treated polyethylene
- Frame:** 1.66" O.D. 14 ga. galvanized steel tube (20' & 24' models) 2" O.D. 14 ga. galvanized steel tube (30' models)
- Purlin:** (1) run of 18 ga. roll form
(2) 1.163" O.D. 17ga. galvanized steel tube side purlins

OPTIONS



Complete with Hardware:

Be ready to assemble; purchase your end frame hardware and lumber mounting hardware from us and save yourself a trip to the hardware store



Side Wall Vents Available:

Roll-up Sides feature a self-locking gear box (included in standard package)



Roll-Up Door Kit:

Galvanized steel jamb & header, clear 3-ply reinforced poly door, drive tube, roll-up crank and hardware

FieldPro Roll-Up Door Kits Include: galvanized steel jamb & header, clear 3-ply reinforced poly door, drive tube, 60" roll-up crank and hardware

Frame Only Price Includes: Five-piece frame sections, ground stakes, (3) purlins, (4) diagonal wind braces, peak bracing, ground stake driver, assembly hardware and a set up manual. Lumber not included.

Standard Package Price Includes: Everything in the frame only price as well as upper and baseboard lumber U-clamps, end-wall lumber mount fittings and hardware, Wiggle Wire™ poly fastening system, single-layer clear poly roof and ends, (2) full-length manual roll-up sidewall vents. Lumber not included



Please call **800-852-3443** for additional sizes, configurations, and pricing.



POLY-VENT®

With our Poly-Vent ventilation system you'll have an economical alternative to rack & pinion, and you'll save in a host of other ways, too. Save on electrical bills by reducing the use of large fans, save on heating costs because Poly-Vent's dead air space provides an effective layer of insulation, and reduce your maintenance time with fewer moving parts. Able to accommodate most greenhouse sidewalls, our system provides improved water drainage. Choose from single-stage or two-stage options to provide your product with superior ventilation.

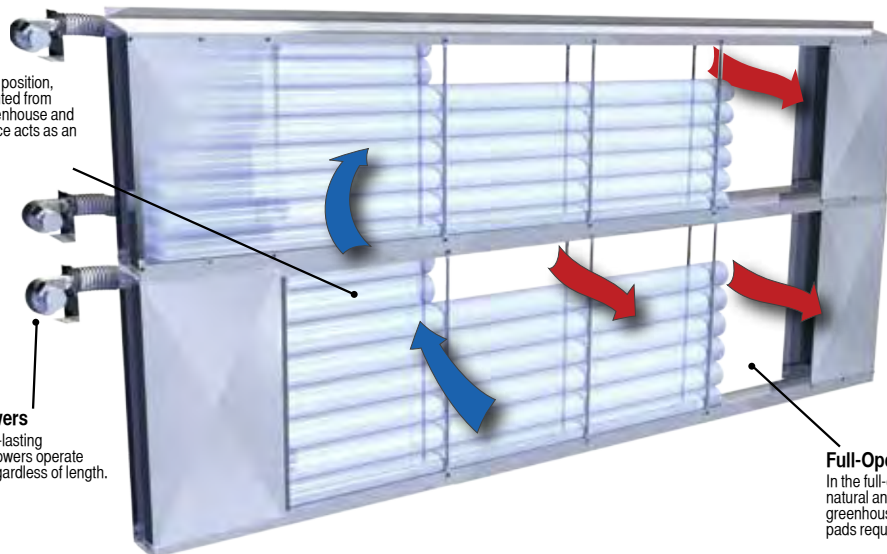


Full-Closed

In the full-closed position, cool air is prevented from entering the greenhouse and the dead air space acts as an insulated wall.

Control Blowers

One or two long-lasting squirrel-cage blowers operate the ventilator regardless of length.



Mix and Match

For maximum sidewall ventilation mix and match single + two-stage stacked systems to any height.

Full-Open

In the full-open position, Poly-Vent allows complete, natural and free movement of outside air into the greenhouse. There are no expensive fans or cooling pads required.

POLY-VENT II (Single-stage)

Base Frame Includes: Poly-Vent II, top and bottom 24 gauge galvanized Poly-Vent gutter, galvanized front/rear guides and hardware.

Optional Stacking Frame Includes: Poly-Vent II, top and 24 gauge galvanized Poly-Vent gutter, galvanized front/rear guides and hardware.

End Package Includes: Sheet metal enclosures for both ends of frame, one blower to inflate Poly-Vent II, blower mount, one 3-inch diameter flex tube, air transfer gaskets and all hardware.

Base frame		Stacking frame (optional)		End package	
Size	Part #	Part #	Part #	Part #	Part #
24"	PV7022	PV7122		PV8022	
36"	PV7032	PV7132		PV8032	
48"	PV7042	PV7142		PV8042	
60"	PV7052	PV7152		PV8052	

Note: Frame must be purchased in two foot increments. Poly-Vent can be custom cut to any size.

POLY-VENT III (Two-stage)

Base Frame Includes: Poly-Vent III, top and bottom 24 gauge galvanized Poly-Vent gutter, galvanized front/rear guides and hardware.

Optional Stacking Frame Includes: Poly-Vent III, top 24 gauge galvanized Poly-Vent gutter, galvanized front/rear guides and hardware.

End Package Includes: Sheet metal enclosures for both ends of frame, two blowers to inflate Poly-Vent III, blower mounts, two 3-inch diameter flex tubes, air transfer gaskets and all hardware.

Base frame		Stacking frame (optional)		End package	
Size	Part #	Part #	Part #	Part #	Part #
36"	PV7033	PV7133		PV8033	
48"	PV7043	PV7143		PV8043	
60"	PV7053	PV7153		PV8053	

Note: Frame must be purchased in two foot increments. Poly-Vent can be custom cut to any size.

Replacement Poly-Vent Plastic

Size	Poly-Vent II part #	Poly-Vent III part #
24"	PV3500	-
36"	PV3502	PV3532
48"	PV3504	PV3534
60"	PV3506	PV3536

Note: \$15 cut charge if less than stock roll. \$32 to cut and seal both ends

Poly-Vent Back-Up Blower System

The back-up blower system will keep your Poly-Vent system inflated in the unlikely event of a power outage. Includes adapter plate, control box, DC blower, battery charger w/auto shut off. (12 volt battery is not included.)

Part #	Description
BUBSII	Poly-Vent II back-up blower system
BUBSIII	Poly-Vent III back-up blower system

REPLACEMENT PARTS

			
Poly-Vent Blower PT2448	Blower Mounting Bracket PT2409	Air Transfer Gasket PT2436	Flex Tubing 3" x 5' PT2437 3" x 2' PT2443 3" x 25' PT2438

FEATURES

Versatility: Most greenhouses with straight side walls can easily be renovated to accommodate the Poly-Vent system; it can also be used as a ridge vent on most saw-tooth style greenhouses

Longer Life: Unlike more expensive systems, Poly-Vent has very few moving parts, so there is less to wear out or break down

Gradual Air Exposure: Poly-Vent opens slowly from the top to gradually mix colder outer air with warmer greenhouse air, preventing "cold air dump" on fragile plants

Superior Insulation: The tubing air space provides improved insulation compared to a single poly layer, helping to reduce heating costs

Maximum Light Access: When fully open, Poly-Vent allows your plants full access to sunlight for superior growth

The Best Thermostat For Your System:

We recommend the Schaefer Mechanical Thermostat for your Poly-Vent system. This rugged thermostat is code approved and moisture resistant to withstand the greenhouse environment. It features a wide temperature range and narrow operating differential for reliable control.



One-speed heating or cooling
RR5003



Two-stage heating or cooling
RR5010

ROLL-UP SIDE VENTILATION



Retro fit your existing greenhouse, up to 96', with roll-up side ventilation for natural airflow. Roll-up side kit includes: 1.315" tube w/swage (116"), roll-up tube clips, cradles with "S" hook, brackets with "S" hook, roll-up poly curtain, 1/4" polyester rope. Finish your roll-up side with our roll-up end kit that includes: roll-up unit - FLC BS104, gearbox guide, roll-up end panel 24" x 68" 6MIL, guidemounting bracket, roll-up guide chain, 18" spike, fasteners.

Roll-Up Sides	
Part #	Description
N/A	Roll-up Side Kit
RC4010	End Package

Can only be used on structures up to 96'

HAF FANS

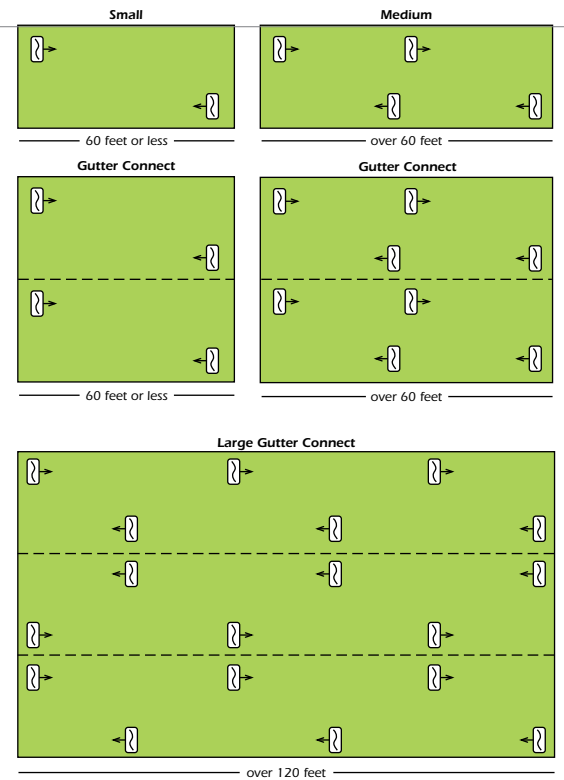


Schaefer Plant Air® HAF Circulation Fan

Use these circulation fans to implement Horizontal Air Flow (HAF) patterns throughout the greenhouse. The HAF system places small circulation fans strategically in the greenhouse creating a 'race-track' air flow pattern. This reduces humidity and moisture condensation, improves carbon dioxide availability and equalizes temperature. The Plant Air fan is no-maintenance. The totally enclosed motor never needs oiling and uses heavy-duty moisture resistant bearings for long-life.

12" Plant Air HAF Fan (VK12)

- **Gentle Air Movement**—ideal fan for any crop in any greenhouse
- **Quiet**—only 4.5 sones provide a quiet production or retail environment
- **Small Size**—easy placement, better clearance
- **Maintenance Free**—motor never needs oiling



Suggested placement of Schaefer Plant Air circulation fans in single and multiple greenhouses



POLY FILMS



We carry a variety of UV-stabilized greenhouse Poly Films to ensure you get the right product for your needs. Poly Films protect your plants for better blooms and brighter colors. They can provide superior insulation for your greenhouse, reduce condensation, or retain infrared rays for increased warmth in your growing structure. Whatever you're looking for, our helpful sales team can assist you in selecting the right poly for your needs.

Available in sheet or tube. Custom cut to any length and no minimum order. Call for volume pricing.

GT-4 6 mil Clear				
Features excellent light transmission, long product life and easy installation.				
Tube widths (feet)				
12	16	20	22	25
14	18	21	24	26
Sheet widths (feet)				
12	20	25	36	48
14	21	26	40	50
16	22	28	42	52
18	24	32	44	

GT-55% 6 mil White				
Lower greenhouse temperature by reflecting solar heat. Use where cooling is a priority such as orchids or garden centers.				
Tube widths (feet)				
16	18	20	21	24
Sheet widths (feet)				
16	21	36		48
18	24	40		
20	32	42		

GT-IR/AC 6 mil Clear				
Provides infrared retention to maintain warmth and anti-fog additives for improved light transmission in colder climates.				
Tube widths (feet)				
12	16	20	22	25
14	18	21	24	
Sheet widths (feet)				
12	20	25	40	50
14	21	28	42	
16	22	32	44	
18	24	36	48	

WIGGLE WIRE®

Imitation is the sincerest form of flattery but don't be fooled by inexpensive, imported spring wire. Look for our trademark Wiggle Wire® brand for the quality that has proven to be a low-cost, effective way to attach polyethylene or shade material to greenhouses. Just install the aluminum base and you can attach multiple layers of polyethylene and/or shade cloth to your structure. Proudly made in the USA.

- The aluminum base won't rust, and easily bends over most hoop configurations for seamless installation
- The stainless steel wire is heavy-duty and will stand up to repeated installations
- Install up to three layers of plastic and shade cloth without needing another fastening system
- Because of its high quality and durability our Wiggle Wire® can be reused after the first installation



Part #	Description
WWBASE78	6'- 6" aluminum Wiggle Wire base track
WIGLWIRE10	6' - stainless steel Wiggle Wire - 10 Pack



Go to www.poly-tex.com to see our new Wiggle Wire bundle packages.

REPLACEMENT PARTS



Preassembled Roof Inflation Kit
Includes Inflation blower, 3"x 2' flex tubing, air transfer gasket, blower mounting bracket
PT2415



2' Jumper Kit
Includes 3" x 2' flex tubing and two of each of the following: air pipe flange and 3.25 hose clamp
PT2416



Self-Locking Gear Box
MV1000



Poly Patch Tape
PT2440 - 4"x 10'
PT2441 - 4"x 48'

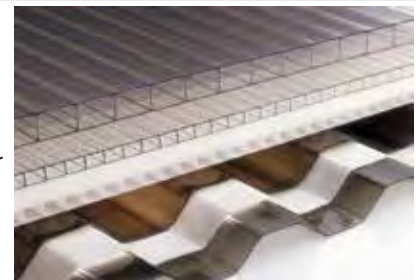


Roll-Up Clip
RC1010
Fits 1.315" OD tubing

POLYCARBONATE

Structured & Corrugated Sheeting

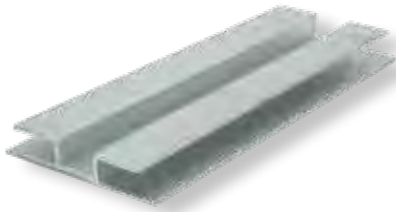
Our Polycarbonate possesses an impact strength 200 times greater than glass. Ten times greater than acrylic, it won't crack or split when cut or drilled, and bends over most hoop structures. Choose from 4' or 6' widths, up to 48' in length.



Aluminum "U" profile-20' length
PL1020



"H" profile cap-24' length,
"H" profile base-24' length
PL1010/1012



Aluminum "H" profile
8mm-12' length
PL1018



"H" profile 8mm clear-24' length
PL1000

Description	Part #
8mm clear sheeting-6' width, up to 48' lengths	SS1000
8mm clear sheeting-4' width, up to 48' lengths	SS1001
8mm white sheeting-6' width, up to 48' lengths	SS1002
8mm white sheeting-4' width, up to 48' lengths	SS1003
Corrugated sheeting-50" width, up to 48' lengths	SS2000

Note: Crating charge per lineal foot on longest sheet per order.
FOB Janesville, WI

Polycarbonate Accessories	
Install your sheeting correctly with the appropriate fastener.	
"H" profile 8mm clear-24' length	PL1000
"H" profile cap-24' length	PL1012
"H" profile base-24' length	PL1010
Aluminum "U" profile-20' length	PL1020
Aluminum "H" profile 8mm-12' length	PL1018
Foil Tape 1" x 50 yards	RR2439
#12 x 1" self-drilling screws	NB1804
#12 x 1½" self-drilling screws	NB1805
#10 x 1½" wood-mate screws	NB1807
#14 x ¾" self-drilling screw	NB1806
1" neoprene bonded washers	NB1869

ORDER INFORMATION

Terms and Conditions

Payment

Payment for merchandise will be made by the following methods: Check, American Express, MasterCard, VISA, Discover or cash. If you would like to establish terms with us, please give us a call or visit our website for a credit application.

Discounts

We offer a 2% discount on cash or approved check orders. Full payment must be received at time order is placed. Cash discount does not apply to credit card purchases.

Pricing

All prices are subject to change without notice. Prices maybe subject to state sales tax. Pricing is quoted as F.O.B. shipping point unless noted otherwise. Please confirm pricing when placing an order with one of our sales representatives.

Delivery

We will ship your order the most efficient and economical way possible. Poly-Tex cannot be held responsible for any delay, loss or damage caused by our suppliers/carriers or conditions beyond our control. Poly-Tex relinquishes all responsibility for merchandise once the carrier has accepted the shipment.

Any claim settlements would be between you and the delivering carrier. If needed, we will assist you with your claim. Please inspect your merchandise carefully when you receive it. Any noticeable damage/shortage of packages or pallets must be noted on the Bill of Lading upon delivery. Failure to note damage/shortage on the Bill of Lading before the driver leaves will jeopardize your claim. Concealed or hidden damage must be reported to the shipping company within 15 days of delivery.

Satisfaction

If, for any reason you are not completely satisfied upon the receipt of your order, please call your sales representative at 800-852-3443.

Custom Product

Custom orders such as powder coated (painted) product or special dimension merchandise are not cancellable once production has commenced. "Custom" is defined as any product manufactured or purchased by Poly-Tex that is non-standard. A custom order is considered received by Poly-Tex via a purchase order or signed agreement from the customer.

Change Order

In the event a change order is submitted by the purchaser, a review of the original Purchase Order must commence. The revised purchase order, including any pricing or lead time changes, must be agreed upon by both parties prior to amending the agreement.

Customer Service

Missing parts will be shipped at no charge, at regular freight rates from 30 days of invoice date. If expedited shipping is requested by the customer, these expedited shipping charges are the responsibility of the customer.

Cancellations

Cancelled credit card orders will incur a 3% processing fee.

Building Permits

It is the responsibility of the purchaser to obtain all applicable building permits. Poly-Tex manufactures both code certified and non-certified structures. We advise our customers to research the local requirements prior to purchasing our structures whether they are temporary or permanent installations.

Returns

All returns for credit must have prior approval. The credit granted for such returns, will be based on the invoice value at the time of purchase and will be assessed a 20% restocking charge, except for defective merchandise or unless otherwise authorized. Proof of purchase is required and no returns will be considered 30 days after date of purchase. Customer will be responsible for all cost(s) related to returning product(s) in like-new, sellable condition. No credit will be given on returned product that is damaged. Custom product/project sales are final and are not eligible for return or refund.

Easy Ordering

Call us toll-free US & Canada
800-852-3443
fax 651-463-2479
651-463-7009



Cards



Or for more product information, visit our Web site

POLY-TEX.COM

info@poly-tex.com

P.O. Box 458, 27725 Danville Avenue, Castle Rock, MN 55010

Monday-Friday from 8:00am until 4:30pm CST.

Limited Warranty

Poly-Tex, Inc. warrants its products to be free from defects in material and workmanship for a period of (1) year from date of invoice. This warranty is provided to the original purchaser of the product and is not transferable. Poly-Tex does not warrant parts not manufactured by Poly-Tex, but does assign any transferable manufacturer or supplier warranties. Should any defect be found, full repair or replacement will be rendered to the customer at no cost following inspection by a Poly-Tex representative and the return of the defective product to our Castle Rock, MN factory. Expenses for removal or reinstallation of defective products will not be covered by the warranty. The sale of custom projects are final and are not eligible for refund.

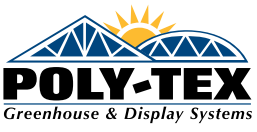
POLY-TEX SHALL NOT BE HELD RESPONSIBLE FOR ANY SPECIAL OR CONSEQUENTIAL DAMAGES, OR FOR ANY DELAY IN PERFORMANCE OF THIS WARRANTY BEYOND OUR CONTROL. THIS WARRANTY IS EXCLUSIVE AND IN LIEU OF ALL OTHER WARRANTIES WHETHER IMPLIED, WRITTEN, OR ORAL INCLUDING THE WARRANTIES OF MERCHANTABILITY AND FITNESS FOR A PARTICULAR PURPOSE.

ADDITIONALLY, THERE IS NO GUARANTEE OF THE LOAD CAPACITY OF THE STRUCTURE FOR SNOW, WIND, SEISMIC, OR OTHER LOADS UNLESS BUYER HAS RECEIVED CERTIFIED ENGINEERING DRAWINGS WITH THE STRUCTURE AND POLY-TEX, INC DOES NOT WARRANT THAT FRAME WILL COMPLY WITH LOCAL OR STATE BUILDING CODES IN BUYERS LOCATION.

This warranty does not cover damage from customer abuse, misuse, improper installation, customer modifications, customer negligence in performing normal maintenance, damage resulting from acts of nature.

Got a question?

Give us a call and our experienced sales staff can answer your questions. We've been designing, building and selling green-houses and retail displays for over 35 years. We know a lot about what you might be looking for and how best to meet your needs.



P.O. Box 458
27725 Danville Ave.
Castle Rock, MN 55010

