

Contents

Saucers.....	2
Display Racks.....	6
Plant Stands.....	9
Caddies.....	17
Specialty.....	22
Contact Us.....	24

Plastec manufactures all individual saucer products in the USA.

All items marked as using “Clear PET” contain up to 50%
post-industrial recycled material.

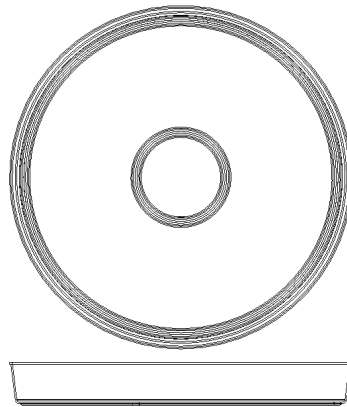
Piatto Saucer

- Simple and elegant design
- 1" water well
- Raised rings to help prevent damage to surfaces
- For outdoor and indoor use
- Warm gray Styrene
- Manufactured in the USA

Saucer Sizes

8" P08WG

10" P10WG



The Original Plant Pallet

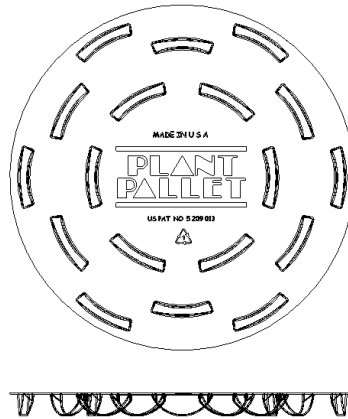
- Plastec's original Plant Pallet
- Raises potted plants off of surfaces to prevent damage
- For outdoor and indoor use
- Elevate your plants without holding excess water
- Great for planters with saucers
- 100% recyclable clear PET
- Manufactured in the USA

Saucer Sizes

6" PPR06

8" PPR08

10" PPR10



Pure Shield Dual Saucer

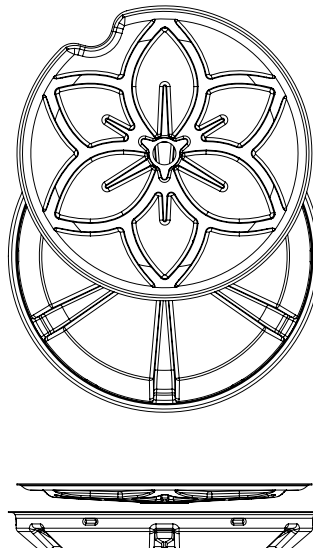
- Hides dirty water and minerals
- 2 piece design for easy cleaning
- Helps prevent root rot
- For outdoor and indoor use
- Protects your household surfaces
- 100% recyclable clear PET (Bottom) Black styrene (Top)
- Manufactured in the USA

Saucer Sizes

8" PSDS08

10" PSDS10

12" PSDS12

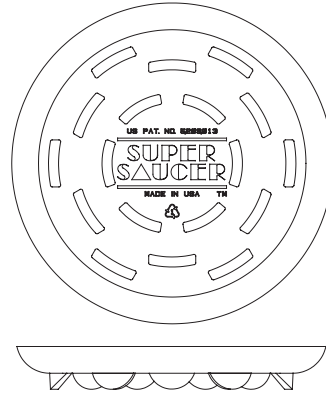


Super Saucer

- Strongest saucer on the market
- Patented air buffer design
- Retains water and protects floor
- For outdoor and indoor use
- 100% recyclable clear PET
- Manufactured in the USA

Saucer Sizes

6"	SS006	14"	SS014
8"	SS008	16"	SS016
10"	SS010	20"	SS020
12"	SS012	24"	SS024

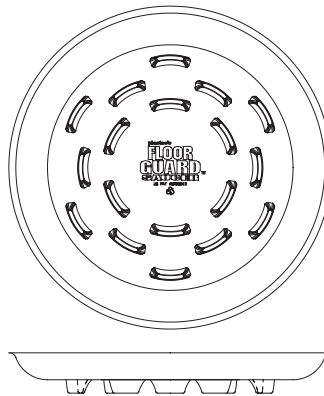


Recycled Floor Guard

- Sturdy, but affordable
- Patented air buffer design
- Retains water and protects floor
- For outdoor and indoor use
- 100% recyclable clear PET
- Manufactured in the USA

Saucer Sizes

6"	FGR06	12"	FGR12
8"	FGR08	14"	FGR14
10"	FGR10	16"	FGR16

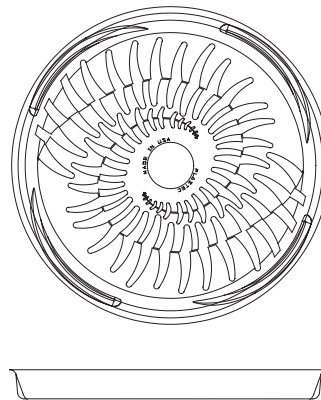


Liteline Saucer

- Economical and lightweight
- Decorative fern pattern
- Retains water and protects floor
- For outdoor and indoor use
- 100% recyclable clear PET
- Manufactured in the USA

Saucer Sizes

4"	LL04	12"	LL12
6"	LL06	14"	LL14
8"	LL08	17"	LL17
10"	LL10		

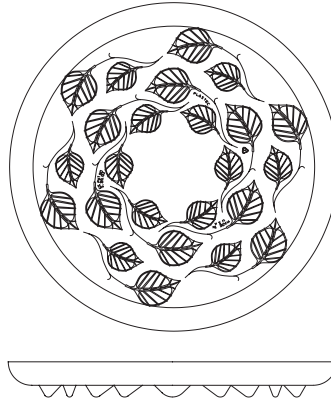


Elegance Decor Saucer

- A robust saucer with an intricate leaf design
- Patented air buffer design
- Retains water and protects floor
- For outdoor and indoor use
- 100% recyclable clear PET
- Manufactured in the USA

Saucer Sizes

6"	EDS06	12"	EDS12
8"	EDS08	14"	EDS14
10"	EDS10	16"	EDS16

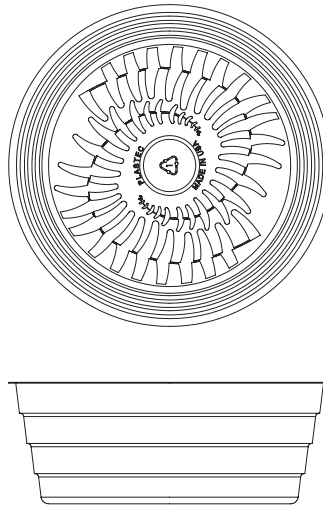


Deep Liner

- Decorative fern pattern
- Economical and lightweight
- Retains water and protects floor
- For outdoor and indoor use
- 100% recyclable clear PET
- Manufactured in the USA

Saucer Sizes

8"	DLL08
10"	DLL10
12"	DLL12

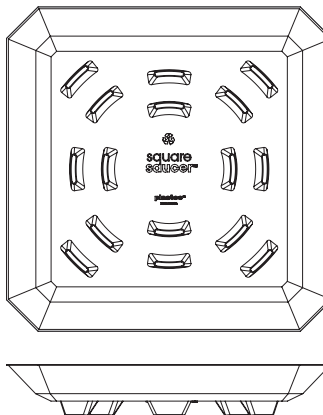


Recycled Square Saucer

- Heavy-duty saucer with a modern look
- Accommodates square or round pots and planters
- Retains water and protects floor
- For outdoor and indoor use
- 100% recyclable clear PET
- Manufactured in the USA

Saucer Sizes

6"	SQR06
8"	SQR08
11"	SQR11
14"	SQR14



Plant Pak

- Holds up to 4 plants side by side
- Patented air buffer design
- Retains water and protects floor
- For outdoor and indoor use
- 100% recyclable clear PET
- Manufactured in the USA

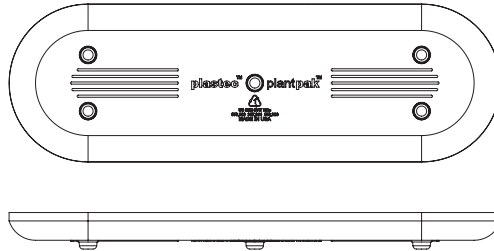


Saucer Sizes

6" x 12" PAK612

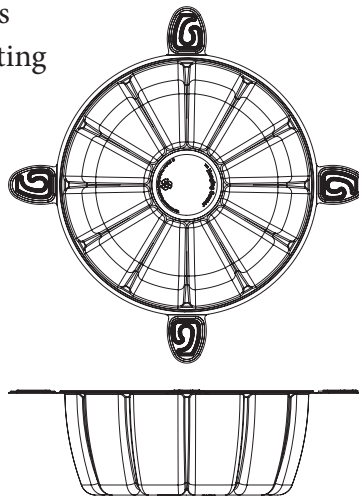
4" x 14" PAK414

6" x 18" PAK618



Hanging Saucer

- Made especially for hanging baskets
- Holds excess water without detracting from the basket
- Self-watering
- Retains water and protects floor
- For outdoor and indoor use
- 100% recyclable clear PET
- Manufactured in the USA



Saucer Sizes

10" HS10-24

12" HS12

Eco Cork

- Cork is a renewable resource
- Absorbs moisture and protects surfaces
- Recycled HDPE textured plastic backing protects surfaces
- Rigid plastic backing is soak proof
- For outdoor and indoor use
- Manufactured in the USA

Saucer Sizes

4" ECR04 10" ECR10

6" ECR06 12" ECR12

8" ECR08



Super Saucer Racks

- 60 pcs free standing wire rack - 46 x 15 x 15”
- 60 pcs hanging wire rack - 51 x 10.80 x 14.10”
- 12 pcs 16” saucer hanging wire rack - 11 x 23 x 20”
- Use indoor or outdoor
- Powder coated steel
- Available in white

Rack Options

- Free Standing Wire Rack FSD005S
- Hanging Wire Rack HCD005S
- 16” Saucer Hanging Wire Rack HCD16S



60 pcs Free Standing Rack

Recycled Floor Guard Racks

- 72 pcs corrugate shelf display - 14 x 17 x 22”
- 60 pcs free standing wire rack - 46 x 15 x 15”
- 60 pcs hanging wire rack - 51 x 10.80 x 14.10”
- 12 pcs 16” saucer hanging wire rack - 11 x 23 x 20”

Rack Options

- Corrugate Shelf Display FGRDISPCL
- Free Standing Wire Rack FGR005
- Hanging Wire Rack HFGR005
- 16” Saucer Hanging Wire Rack HFGR16



60 pcs Free Standing Rack

Liteline Racks

- 150 pcs holiday corrugate shelf display - 11 x 13 x 18”
- 275 pcs free standing wire rack - 50 x 18 x 18”
- 250 pcs hanging wire rack - 53 x 17 x 17”
- 25 pcs 17” saucer hanging wire rack

Rack Options

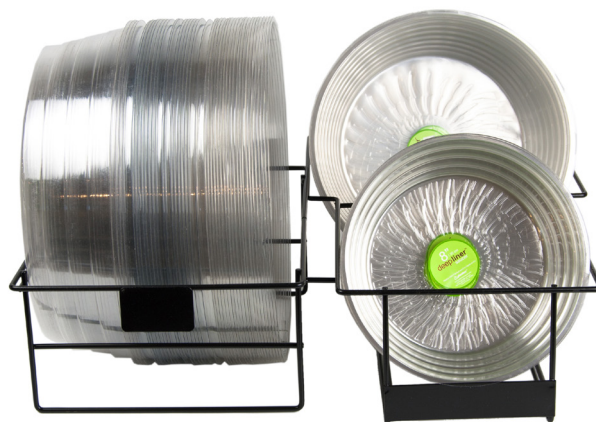
- Corrugate Holiday Shelf Display LLHOLDISP
- Free Standing Wire Rack FLL007L
- Hanging Wire Rack HLL007L
- 17” Saucer Hanging Wire Rack HLL17



150 pcs Corrugated Holiday Display

Deep Liner Racks

- 150 pcs wire shelf display - 14.50 x 14 x 33.50"
- Use indoor or outdoor
- Powder coated steel
- Available in black



150 pcs Wire Shelf Display

Rack Options

- Wire Shelf Display DLLDSPH

Recycled Square Saucer Racks

- 54 pcs corrugate shelf display - 11.30 x 13.50 x 18.50"
- 48 pcs wire shelf display - 17 x 18 x 14.25"
- Wire shelf display is available in black powder coated steel and is suitable for indoor or outdoor use



48 pcs Wire Shelf Display

Rack Options

- Corrugate Shelf Display SQDISPCL
- Wire Shelf Display SQSDISP

Plant Pak Racks

- 36 pcs wire shelf display - 24.50 x 8.75 x 19"
- 36 pcs hanging wire rack - 50 x 13 x 7"
- Use indoor or outdoor
- Powder coated steel
- Available in white



36 pcs Wire Shelf Display

Rack Options

- Wire Shelf Display PAKD1L
- Hanging Wire Rack PAKD3L

Eco Cork Racks

- 48 pcs free standing wire rack - 50 x 18 x 18"
- 72 pcs hanging wire rack - 53 x 11 x 17"
- Use indoor or outdoor
- Powder coated steel
- Available in white

Rack Options

- Free Standing Wire Rack FECR005
- Hanging Wire Rack HECR006



48 pcs Free Standing Rack



Elegance Table Top

- Decorative printed saucer
- 4" tall
- 10" saucer
- Packaged in a PDQ box for merchandising
- Available in dark bronze or black



Plant Stand Sizes & Colors

10" PS308DB

10" PS308BK4

Elegance Plant Stand

- Decorative printed saucer
- 13", 17" and 21" tall stands (sold separately)
- 3 sizes nest together
- Available in dark bronze or black



Plant Stand Sizes & Colors

13" PS301DB

13" PS301BK

17" PS302DB

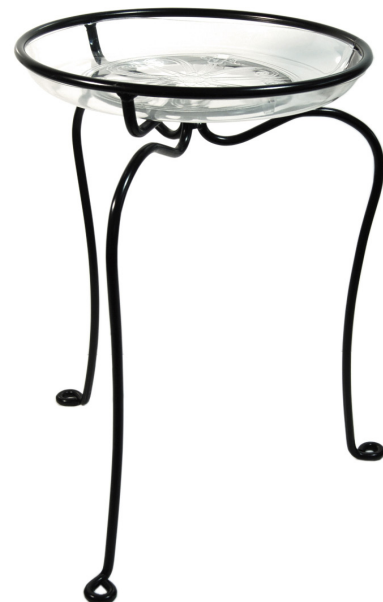
17" PS302BK

21" PS303DB

21" PS303BK

The Decorator Plant Stand

- Decorative embossed saucer
- Classical lines
- 8", 16" and 21" tall stands (sold separately)
- Heavy-duty frame
- Available in rust or black



Plant Stand Sizes & Colors

8" DPS08RT

8" DPS08BK

16" DPS16RT

16" DPS16BK

21" DPS21RT

21" DPS21BK

The Saucer Stand

- Raises potted plants off surfaces
- Decorative embossed saucer
- 10" diameter
- Packaged in a PDQ box for merchandising
- Available in slate



Plant Stand Sizes & Colors

10" C10SL

Patio Stand

- Simple and sturdy
- 8" and 13" tall stands (sold separately)
- Nests tightly for shipping and sales
- Economical
- Saucer not included
- Available in black



Plant Stand Sizes & Colors

8" PS101BK

13" PS102BK

Simply Perfect Plant Stand

- Extra deep protective saucer
- Simple scroll design
- 13" and 18" tall stands (sold separately)
- Available in black or white



Plant Stand Sizes & Colors

13" PPS13BK 13" PPS13WT

18" PPS18BK

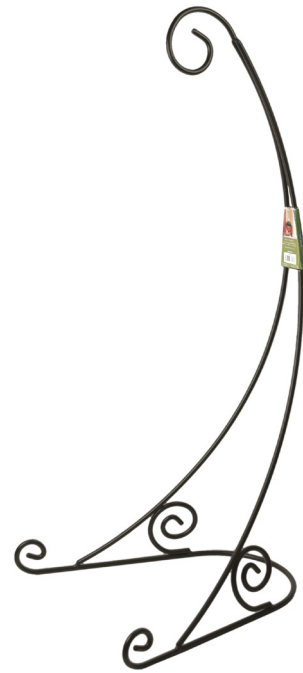
Veranda Stand

- Holds hanging baskets, lanterns and more
- Available in multiple styles and sizes
- Sturdy steel structure
- Use indoor or outdoor
- Patented design
- Available in black

Plant Stand Sizes & Colors

40" VSB1

46" VSB3



Veranda Stand Deluxe 40"

- Holds hanging baskets, lanterns and more
- 40" tall
- Sturdy steel structure
- Use indoor or outdoor
- Patented design
- Available in black

Plant Stand Sizes & Colors

40" VSB2



Table Top Plant Stand

- Simple modern design
- Raises potted plants off surfaces
- Protective saucer included
- 10" diameter
- Packaged in a PDQ box for merchandising
- Available in gold and black

Plant Stand Sizes & Colors

10" TTPS10GD

10" TTPS10BK



Hanging Basket Planter Stand

- Spikes into the ground or planter
- 52" tall assembled adds height and dimension
- Holds 2 hanging baskets and 1 accessory
- Breaks down to 3 parts for shipping and sales
- Easy to assemble, no tools required
- Planter not included
- Available in black



Plant Stand Sizes & Colors

52"

GS101BK

The Trivet

- Heavy-duty plant support
- Use indoor and outdoor
- 12" diameter
- Saucer not included
- Available in metallic taupe and black



Plant Stand Sizes & Colors

12"

T12MT

12"

T12BK

Square Saucer Table

- Great for square or round pots
- Sturdy steel legs
- 15" tall
- Protective saucer included
- Available in dark bronze



Plant Stand Sizes & Colors

15"

PS601DB

Plant Platform

- Low profile plant support
- Decorative embossed saucer
- 6", 8" and 10" diameter platforms (sold separately)
- Packaged in a PDQ box for merchandising
- Available in khaki and flint



Plant Stand Sizes & Colors

6"	TPP6KPDQ	6"	TPP6FPDQ
8"	TPP8KPDQ	8"	TPP8FPDQ
10"	TPP10KPDQ	10"	TPP10FPDQ

Main Street Plant Stand

- Modern design
- 12", 20" and 28" tall stands (sold separately)
- Protective saucer included
- Nests compactly for shipping
- Available in metallic taupe



Plant Stand Sizes & Colors

12"	PS014MT
20"	PS020MT
28"	PS028MT

Poly Paper Patio Table

- 100% recycled plastic top
- Infused cellulose flakes from the paper industry
- 19" tall
- Nested boxes save shelf space
- Plastic top made in the USA
- Available in ivory



Plant Stand Sizes & Colors

10"	PS910PWT
-----	----------

Reindeer Plant Stand

- Holds standard poinsettia containers
- Powder coated steel
- 14 x 8.5 x 15"
- Use indoor or outdoor
- Saucer not included
- Available in dark bronze



Plant Stand Sizes & Colors

10"

PS1012DB

Large Step Plant Stand

- Decorative fleur-de-lis pattern
- Holds plants that are too large for steps
- Independently adjustable front legs
- Fits steps from 8" to 12.5"
- 12 x 12" base
- Protective saucer included
- Available in black



Plant Stand Sizes & Colors

12"

PS512BK

Tricycle Plant Stand

- Fun design with a vintage vibe
- Holds medium sized potted plants
- 10 x 12 x 15"
- Heavy-duty powder coated steel
- Saucer not included
- Available in red and black



Plant Stand Sizes & Colors

12"

PS1015RD

12"

PS1015BK

Snowman Plant Stand

- Holds standard poinsettia container
- White powder coated steel
- 17 x 8.5 x 8"
- Use indoor or outdoor
- Saucer not included
- Available in white



Plant Stand Sizes & Colors

10" PS1010WT

Blossom Stand

- Floral theme with petals as a decorative element
- 10" and 18" tall stands (sold separately)
- Sizes nest together
- Protective saucer included
- Available in black



Plant Stand Sizes & Colors

10" PS810BK

18" PS818BK

Daisy Ground Stand

- Crafted to mimic the look of a daisy
- Spikes into the ground
- 19" tall including 5" spikes
- Saucer not included
- Powder coated steel finish
- Available in black



Plant Stand Sizes & Colors

19" GS102BK

Triple Square Stand

- Holds 3 plants making decorating easy
- Great for square or round pots
- 23 x 10 x 15" assembled
- Simple to assemble
- Protective saucers included
- Packaged in a decorative box
- Available in dark bronze



Plant Stand Sizes & Colors

15" PS610DB

Boomerang Plant Stand

- Made from renewable rubberwood
- Sealed with a water resistant food-grade lacquer
- Can be used in either orientation
- Easy assembly, no tools required
- Natural or dark brown finish
- Recommended for indoor use



Plant Stand Sizes & Colors

8"	BWPS08N	8"	BWPS08BN
10"	BWPS10N	10"	BWPS10BN
12"	BWPS12N	12"	BWPS12BN



The Saucer Caddy Deluxe

- Decorative Caddy with heavy-duty frame
- Decorative saucer with water wells
- 14" with 4 casters and 17" with 5 casters (sold separately)
- For outdoor and indoor use
- Available in slate, rust and black



Caddy Sizes & Colors

14"	SC14SL	14"	SC14RT	14"	SC14BK
17"	SC17SL	17"	SC17RT	17"	SC17BK

The Saucer Caddy Pro

- Professional strength
- 6 large casters, 2 locking
- 21" diameter
- Protective saucer has water wells
- For indoor and outdoor use
- Available in black



Caddy Sizes & Colors

21"	SC21BK
-----	--------

Deep-Dish Caddy

- Deep saucer holds lots of water
- Heavy-duty steel frame
- 14" and 17" diameter (sold separately)
- For outdoor and indoor use
- Available in black



Caddy Sizes & Colors

14"	DDC14BKPDQ
17"	DDC17BK

Delray Saucer Caddy

- Classic lines to fit most styles
- 14" with 4 casters and 17" with 5 casters (sold separately)
- Custom fit protective saucer included
- Water wells hold excess water
- Use indoor and outdoor
- Available in black

Caddy Sizes & Colors

14" CD214BK

17" CD217BK



Square Caddy

- For square or round pots
- Clear protective saucer included
- 12 x 12" saucer
- 4 sturdy casters
- Use indoor and outdoor
- Available in dark bronze

Caddy Sizes & Colors

12" CD612DB4



Spiral Caddy

- Decorative steel frame
- 12" diameter
- 3 sturdy casters
- Deep protective saucer included
- Use indoor and outdoor
- Available in black

Caddy Sizes & Colors

12" SPC12BKPDQ



Air Caddy

- Air flow channels help to prevent root rot
- Handles allow for easy maneuverability
- Weatherproof
- 12 x 12" with 4 sturdy casters
- Available in Grey or Terra Cotta



Caddy Sizes & Colors

12" AC010WG

12" AC010TC

Terra Stone Caddy

- Looks like stone
- Made from recycled drink pouches
- Weatherproof
- 12 x 12"
- 4 sturdy casters
- Made in USA



Caddy Sizes & Colors

12" CD712



Cedar Wood Caddy

- Naturally weather resistant
- 12 x 12"
- Made from repurposed wood in the USA
- 4 sturdy casters



Caddy Sizes & Colors

12" CDW12



Boomerang Caddy

- Extra heavy-duty steel
- Stacks tightly on store shelves
- 14" has 3 casters, 17" has 4 casters and 20" has 5 casters (sold separately)
- Use indoor and outdoor
- Saucer not included
- Available in black

Caddy Sizes & Colors

14" CD114BK

17" CD117BK

20" CD120BK



All Weather Wicker Caddy

- All weather wicker woven
- 14" has 4 casters and 18" has 5 casters (sold separately)
- Saucer included to catch excess water
- Individually boxed
- Use indoor and outdoor
- Available in deep brown

Caddy Sizes & Colors

14" CD414BN

18" CD418BN



Molded Wicker Caddy

- Waterproof polypropylene
- Molded to look like real wicker
- 14" with 4 sturdy casters
- Use indoor and outdoor
- Available in brown

Caddy Sizes & Colors

14" CD514BN



Liteline Caddy

- Light duty - thermoformed plastic
- Made from clear *recycled PET
- 12" diameter
- 4 sturdy casters
- Weather resistant
- Made in the USA
- *Up to 50% post industrial

Caddy Sizes & Colors

12" LLC12CLR



Macramé Plant Hanger

- Traditional macramé design
- Weatherproof woven cord
- Compact packaging for clip strips or pegs
- Available in black



Hanger Colors



PH103BK

Mailbox Flower Garden

- Decorate any mailbox with plants
- Coco liner provides insulation
- Saucer included to help retain more water
- Flexible coated chains ensures a proper fit
- Steel wire is vinyl coated and rust proof
- Available in black with coco liner



Hanger Colors



MFGB-CM

Adjustable Plant Hanger

- Auto adjusts to almost any size or shape planter
- Extra sturdy weatherproof cord
- Welded steel structure
- PDQ box included
- Packaged to accommodate peg displays
- Available in black



Hanger Colors



PH101BK

Rose Garden Plant Chair

- Whimsical flower design
- 18" tall
- Bottom ring adds stability
- Nests tightly for shipping and sales
- Saucer not included
- Available in black

Plant Stand Sizes & Colors

21"

PS1018BK



Contact Us

Plastec, a division of Universal Protective Packaging, Inc.
61 Texaco Road
Mechanicsburg, PA 17050

Phone: 717-766-1578
Toll Free: 1-800-544-6649
Fax: 717-766-2133

Office Hours:
Mon-Fri: 8am-5pm
Sat-Sun: Closed

Orders: Orders@plastecproducts.com
Customer Service: CS@plastecproducts.com

Online:

Google: Plastec Products
Facebook: Plastec Products
Instagram: [plastecproducts](https://www.instagram.com/plastecproducts)

plastecproducts.com